

OPERATOR'S MANUAL AND PARTS LIST

MUBEA IRONWORKER

MODEL KBL OPTIMA Execution

SIZE

SERIAL NUMBER



THESE OPERATING INSTRUCTIONS MUST BE KEPT ON THE MACHINE AT ALL TIMES. THEY MUST BE READ AND UNDERSTOOD BY EVERY PERSON BEFORE THEY OPERATE, ADJUST OR REPAIR THE MACHINE.

The correct pages respectively the correct figures of this operating instruction and spare parts list which are appropriate for your machine, have been marked.

OPERATING INSTRUCTIONS

| | Page | |
|--------------------------|--------------------------|-------|
| <input type="checkbox"/> | General | 2 |
| <input type="checkbox"/> | Transportation | 3 |
| <input type="checkbox"/> | Lubrication | 4+5 |
| <input type="checkbox"/> | Connection and Operation | 6 |
| <input type="checkbox"/> | Clutch and Engagement | 7-10 |
| <input type="checkbox"/> | The Plate Shear | 11-14 |
| <input type="checkbox"/> | The Coper-Notcher | 15-18 |
| <input type="checkbox"/> | The Bar Shear | 19-21 |
| <input type="checkbox"/> | The Section Shear | 23-25 |
| <input type="checkbox"/> | Standard Knives | 25-30 |
| <input type="checkbox"/> | Special Knives | 31-32 |
| <input type="checkbox"/> | The Punch | 33-43 |
| <input type="checkbox"/> | Gear Removal | 45-46 |
| <input type="checkbox"/> | Disassembling Machine | 46-51 |
| <input type="checkbox"/> | Punch Housing Removal | 51-55 |
| <input type="checkbox"/> | Lubrication (Tecalemite) | |
| <input type="checkbox"/> | Foundation Drawing | |
| <input type="checkbox"/> | Tool kit survej | |

PARTS LIST

| | Figure | |
|--------------------------|-----------|--|
| <input type="checkbox"/> | A 10/1 | Engagement Assembly, Section Shear |
| <input type="checkbox"/> | A 11/1 | Engagement Assembly, Punch |
| <input type="checkbox"/> | A 12/1 | Solenoid Engagement, Plate Shear |
| <input type="checkbox"/> | A 13/1 | Solenoid Engagement, Section Shear |
| <input type="checkbox"/> | A 14/1 | Solenoid Engagement, Punch |
| <input type="checkbox"/> | A 15/1 | Foot Engagement for Plate- or Flat Steel Shear |
| <input type="checkbox"/> | A 16/1 | Foot Engagement for Section Steel Shear |
| <input type="checkbox"/> | A 17/1 | Foot Engagement for Punch |
| <input type="checkbox"/> | A 18/1 | Plate Shear and Bar Shear Blades |
| <input type="checkbox"/> | A 19/1 | Coper-Notcher Assembly |
| <input type="checkbox"/> | A 20/1 | Section Knives, PMA |
| <input type="checkbox"/> | A 21/1 | Section Knives, PMB |
| <input type="checkbox"/> | A 22/1 | Section Shear Knives Assembly |
| <input type="checkbox"/> | A 23/1 | Punch Tool with Stripper |
| <input type="checkbox"/> | A 24/1 US | Punch and Stripper Assembly |
| <input type="checkbox"/> | A 25/1 | Section Hold-Down with Mitre Guide |
| <input type="checkbox"/> | A 26/1 | Automatic Hold-Down with Mitre Guide, Section Shear Size 45-20 / Size 50-4 |
| <input type="checkbox"/> | A 27/1 | Automatic Hold-Down with Mitre Guide, Section Shear Size 65-30 thru 130-70 / Size 71-5 thru 143-8 |
| <input type="checkbox"/> | A 28/1 | Hold-Down, Plate and Bar Shear |
| <input type="checkbox"/> | A 29/1 | Electrical Equipment Execution "F", Size 45-20 thru 80-40 |
| <input type="checkbox"/> | A 30/1 | Electrical Equipment Execution "B", Size 45-20 thru 80-40 |
| <input type="checkbox"/> | A 31/1 US | Electrical Equipment, Size 50-4 thru 143-8 |
| <input type="checkbox"/> | A 32/1 | Electrical Equipment Execution "F", Size 100-50 thru 130-70 |
| <input type="checkbox"/> | A 33/1 | Electrical Equipment Execution "B", Size 100-50 thru 130-70 |
| <input type="checkbox"/> | A 34/1 | Guards, Gears and Flywheel |
| <input type="checkbox"/> | A 34/1 US | Guards, Gears and Flywheel |
| <input type="checkbox"/> | A 35/1 | Cover Lids for Section Steel Shears, Bar Steel Shears, Plate- or Flat Steel Shears and Coper-Notcher |
| <input type="checkbox"/> | A 36/1 US | Guards, Plate Shear, Section Shear, Bar Shear and Coper-Notcher |
| <input type="checkbox"/> | A 37/1 | Support and Mitring Table, Plate Shear |

PARTS LIST

| | Figure | |
|--------------------------|------------|---|
| <input type="checkbox"/> | A 1/1 H | Frame Assembly |
| <input type="checkbox"/> | A 1/1 Z | Frame Assembly |
| <input type="checkbox"/> | A 1/1 Z US | Frame Assembly |
| <input type="checkbox"/> | A 2/1 | Flywheel Assembly |
| <input type="checkbox"/> | A 3/1 H | Eccentric Shaft Assembly, Plate Shear |
| <input type="checkbox"/> | A 3/1 Z | Eccentric Shaft Assembly, Plate Shear |
| <input type="checkbox"/> | A 4/1 H | Eccentric Shaft Assembly, Section Shear |
| <input type="checkbox"/> | A 4/1 Z | Eccentric Shaft Assembly, Section Shear |
| <input type="checkbox"/> | A 5/1 H | Eccentric Shaft Assembly, Punch |
| <input type="checkbox"/> | A 5/1 Z | Eccentric Shaft Assembly, Punch |
| <input type="checkbox"/> | A 6/1 H | Slide Assembly, Plate Shear |
| <input type="checkbox"/> | A 6/1 Z | Slide Assembly, Plate Shear |
| <input type="checkbox"/> | A 7/1 H | Slide Assembly, Section Shear |
| <input type="checkbox"/> | A 7/1 Z | Slide Assembly, Section Shear |
| <input type="checkbox"/> | A 8/1 H | Slide Assembly, Punch |
| <input type="checkbox"/> | A 8/1 Z | Slide Assembly, Punch |
| <input type="checkbox"/> | A 9/1 | Engagement Assembly, Plate Shear |



MUBEA-TECALEMIT

CENTRALIZED OIL LUBRICATION

›EXACTOLUB‹ with pump ›SUPRA‹

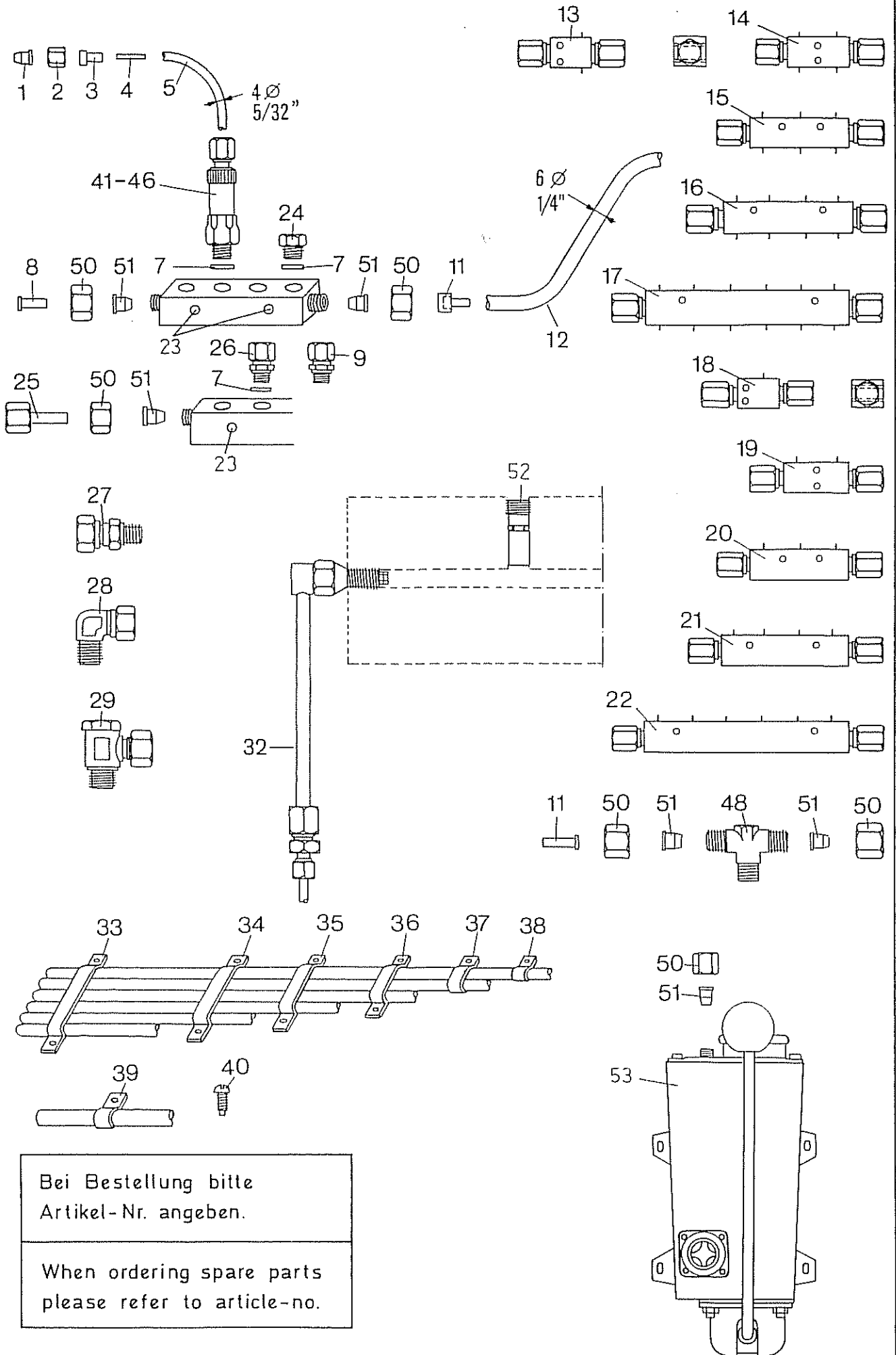
with relief- and airstop valves

high pressure system – piston-type metering

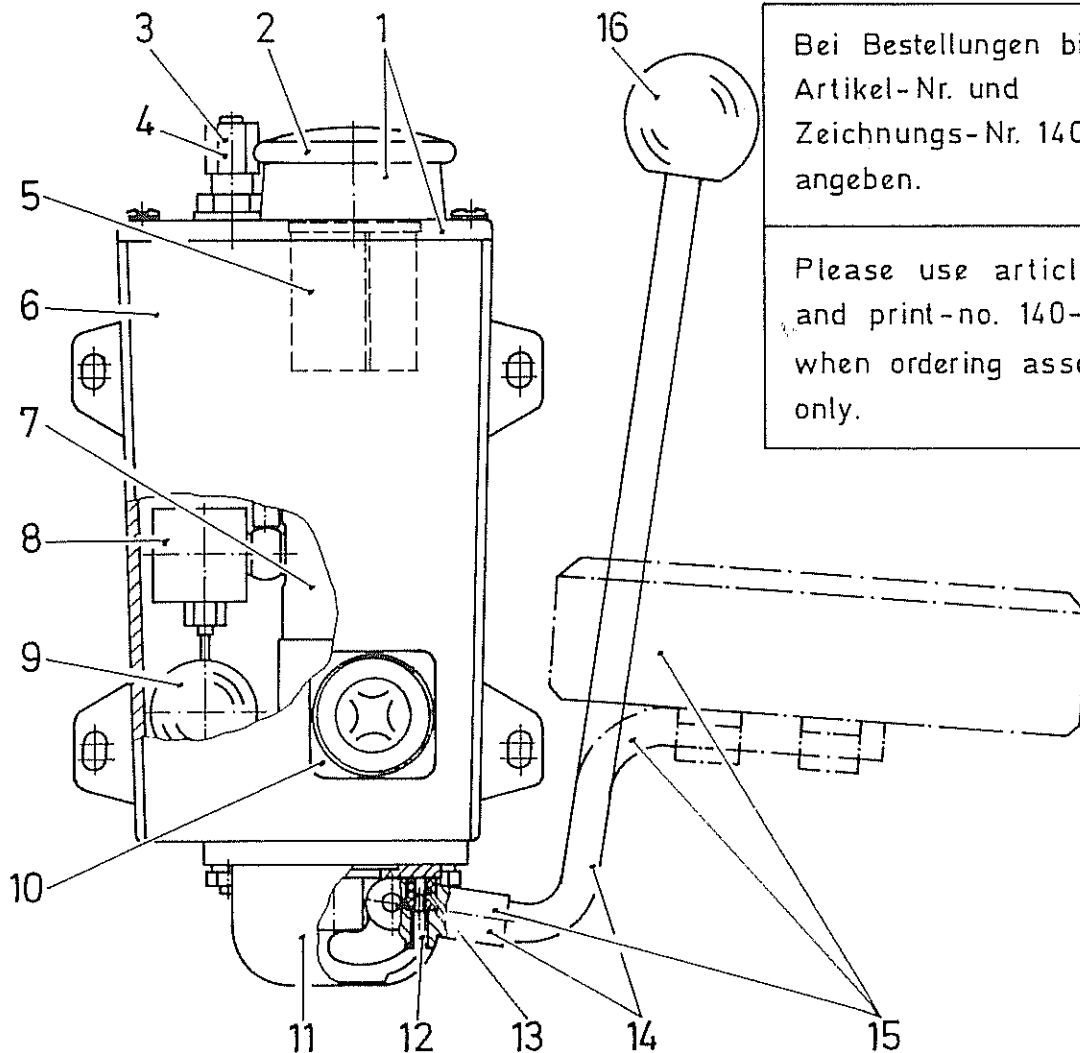
hand operated: ref. No. 1.401102.1

foot operated: ref. No. 1.401202.1

| Pos. Item | Benennung: | Nomenclature: | Artikel-Nr. Article-No. |
|--------------|-------------------------------------|---------------------------------|----------------------------|
| 1 | Schneidring | Cutting ring | 811 100 058 |
| 2 | Überwurfmutter | Capnut | 811 100 059 |
| 3 | Einsteckhülse | Sleeve | 811 100 060 |
| 4 | Kapillarstück | Insert | 811 100 061 |
| 5 | Nylon-Rohr 4/2 biegsam | Nylon tubing 4 mm (5/32") | 811 100 062 |
| 7 | Dichtring | Washer | 811 100 063 |
| 8 | Verschlussstopfen | Closure plug | 811 100 064 |
| 9 | Gerade Einschraub- Verschraubung | Straight connector | 811 100 065 |
| 11 | Einsteckhülse | Sleeve | 811 100 067 |
| 12 | Nylon-Rohr 6/4 halbstar | Nylon tubing 6 mm (1/4") | 811 100 068 |
| 13 | Verteiler | Manifold | 811 100 069 |
| 14 | Verteiler | Manifold | 811 100 070 |
| 15 | Verteiler | Manifold | 811 100 071 |
| 16 | Verteiler | Manifold | 811 100 072 |
| 17 | Verteiler | Manifold | 811 100 073 |
| 18 | Verteiler | Manifold | 811 100 074 |
| 19 | Verteiler | Manifold | 811 100 075 |
| 20 | Verteiler | Manifold | 811 100 076 |
| 21 | Verteiler | Manifold | 811 100 077 |
| 22 | Verteiler | Manifold | 811 100 078 |
| 23 | Gewinde-Schneid- schraube | Slotted self cutting screw | 907 513 08 |
| 24 | Gewindestopfen | Screw plug | 811 100 080 |
| 25 | Anschlußstutzen | Adapter | 811 100 081 |
| 26 | Gerade Einschraub- Verschraubung | Straight connector | 811 100 082 |
| 27 | Gerade Einschraub- Verschraubung | Straight connector | 811 100 005 |
| 28 | Winkel-Einschraub- Verschraubung | Elbow connector | 811 100 083 |
| 29 | Schwenkverschraubung | Swivel connector | 811 100 084 |
| 32 | Drehanschluß | Rotary fitting | 811 100 085 |
| 33 | Befestigungsschelle | Clip | 972 573 16 |
| 34 | Befestigungsschelle | Clip | 972 573 14 |
| 35 | Befestigungsschelle | Clip | 972 573 12 |
| 36 | Befestigungsschelle | Clip | 972 573 10 |
| 37 | Befestigungsschelle | Clip | 972 571 13 |
| 38 | Befestigungsschelle | Clip | 972 571 11 |
| 39 | Befestigungsschelle | Clip | 972 571 21 |
| 40 | Hammerschraube | Drive screw | 810 600 012 |
| 41 | Zumeßventil 30 mm ³ | Meter valve 30 mm ³ | 811 100 086 |
| 42 | Zumeßventil 50 mm ³ | Meter valve 50 mm ³ | 811 100 087 |
| 43 | Zumeßventil 100 mm ³ | Meter valve 100 mm ³ | 811 100 088 |
| 44 | Zumeßventil 200 mm ³ | Meter valve 200 mm ³ | 811 100 089 |
| 45 | Zumeßventil 300 mm ³ | Meter valve 300 mm ³ | 811 100 090 |
| 46 | Zumeßventil 500 mm ³ | Meter valve 500 mm ³ | 811 100 091 |
| 48 | T-Verschraubung | Tee connector | 811 100 092 |
| 50 | Überwurfmutter | Capnut | 811 100 012 |
| 51 | Schneidring | Cutting ring | 811 100 013 |
| 52 | Einschraub-Zumeßventil | Insert meter valve | 811 100 066 |
| 53 | Pumpe kpl. (Handpumpe) | Pump compl. (Hand op.) | 811 100 095 |
| | Pumpe kpl. (Fußpumpe) | Pump compl. (Foot op.) | 811 100 094 |



Bei Bestellung bitte
 Artikel-Nr. angeben.
 When ordering spare parts
 please refer to article-no.

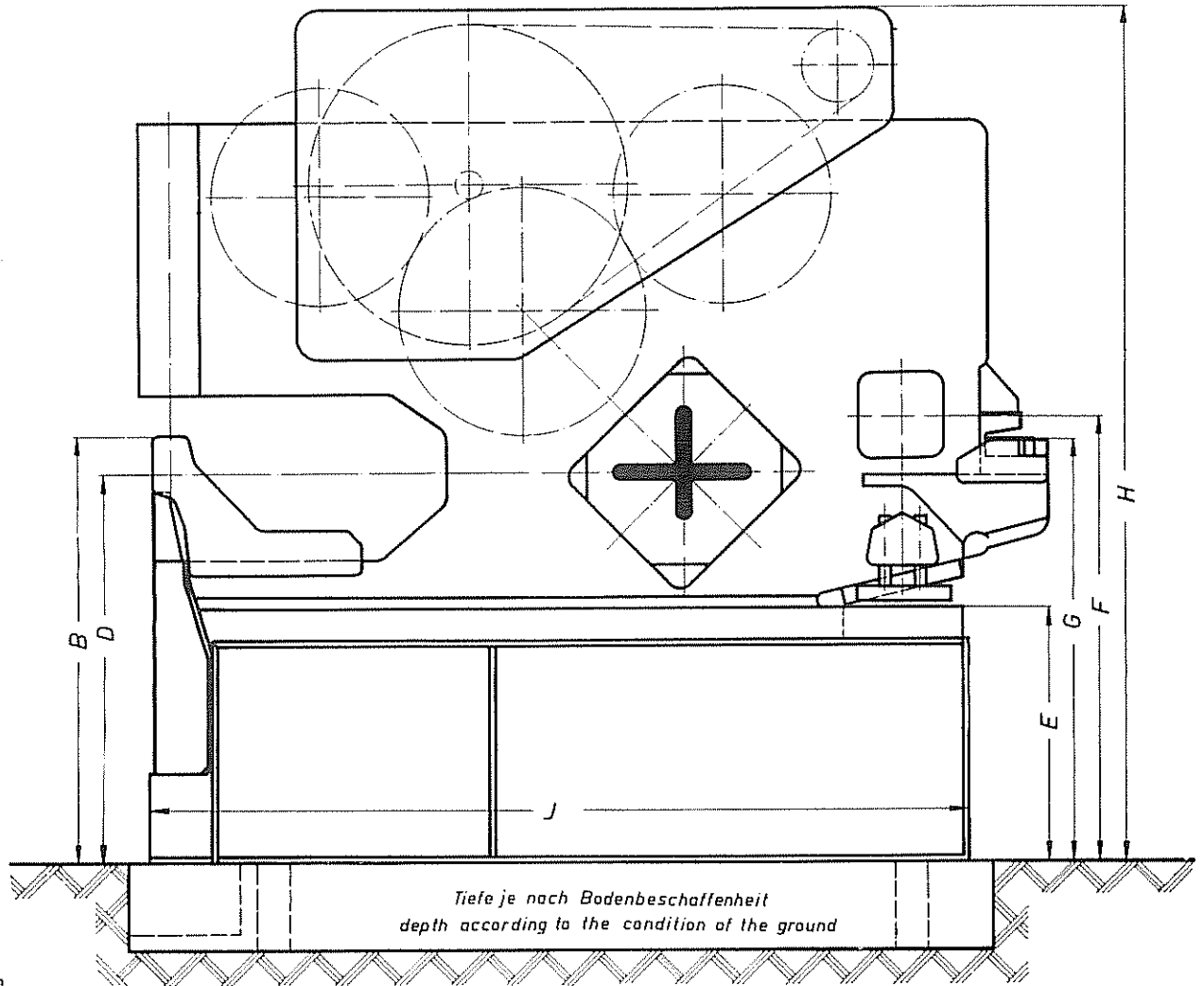


Bei Bestellungen bitte
Artikel-Nr. und
Zeichnungs-Nr. 140-44.1E
angeben.

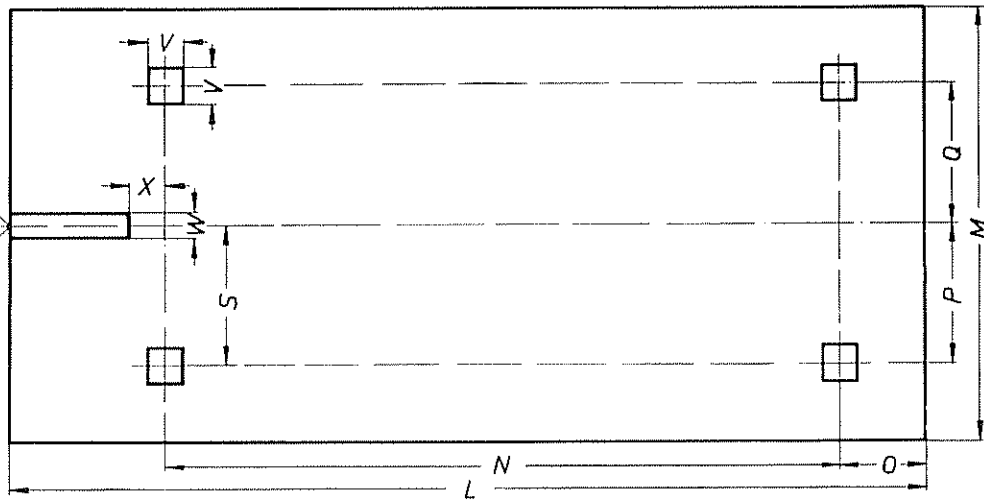
Please use article-no.
and print-no. 140-44.1E
when ordering assemblies
only.

SPARE PARTS AND ASSEMBLIES

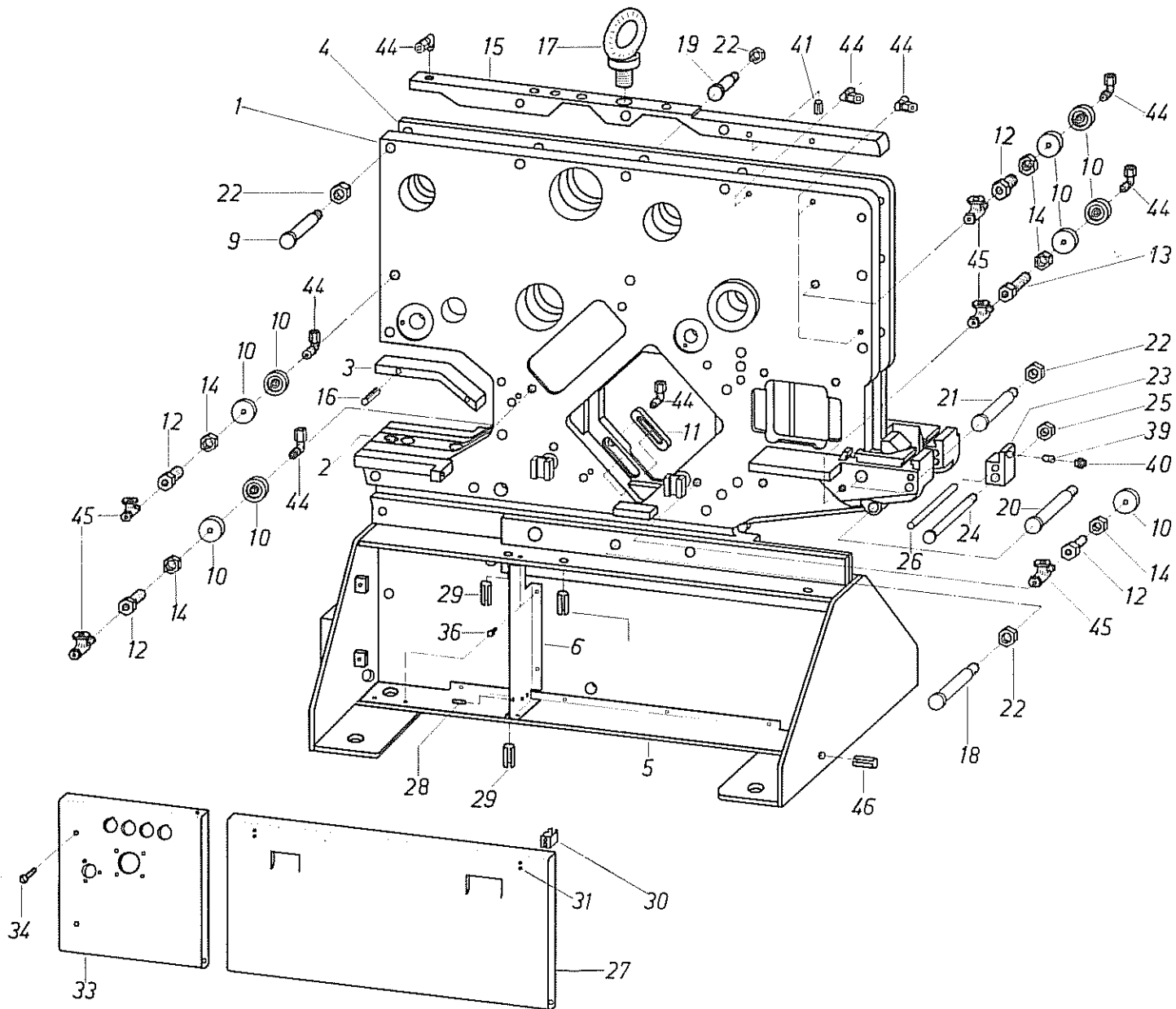
| Pos. Item | Benennung: | Nomenclature: | Artikel-Nr. ; Article-No.: |
|--------------|------------------------------------|--------------------------------------|-------------------------------|
| 1 | Behälterdeckel | Reservoir cover | 811 100 033 |
| 2 | Verschlusskappe | Reservoir cap | 811 100 011 |
| 3 | Überwurfmutter | Capnut | 811 100 012 |
| 4 | Schneidring | Cutting ring | 811 100 013 |
| 5 | Sieb | Strainer | 811 100 032 |
| 6 | Behälter | Reservoir assy. | 811 100 017 |
| 7 | Pumpe | Pumping unit | 811 100 053 |
| 8 | Luftsperr | Air lock assy. | 811 100 055 |
| 9 | Schwimmer vollständig | Float assy. | 811 100 057 |
| 10 | Ölstandsauge | Oil level gauge and gasket | 811 100 020 |
| 11 | Abdeckplatte | Bottom cap | 811 100 024 |
| 12 | Stellschraube | Set screw | 811 100 026 |
| 13 | Stopfen | Plug | 811 100 027 |
| 14 | Betätigungsanschluß (Handpumpe) | Flange and lever assy. (hand op.) | 811 100 052 |
| 15 | Betätigungsanschluß (Fußpumpe) | Flange and lever assy. (foot op.) | 811 100 110 |
| 16 | Kugelknopf | Ball knob | 900 319 71 |



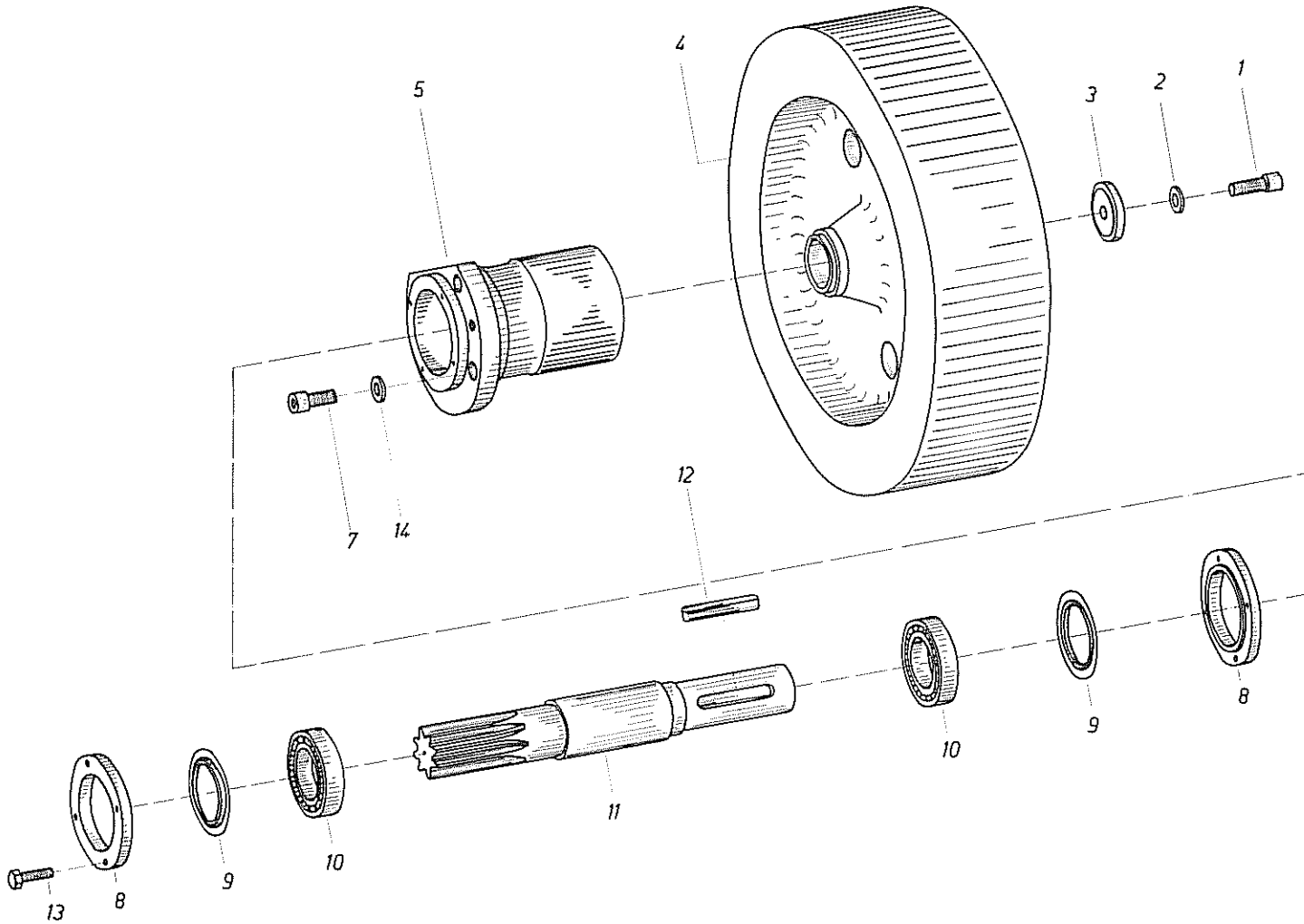
Channel for feeding cable Kanal für Kabeleinführung
direction to your choice Richtung beliebig



| KBL | A | B | C | D | E | F | G | H | J | K | L | M | N | O | P | Q | R | S | T | U | V | W | X |
|--------|------|----------------------------------|---|----------------------------------|----------------------------------|----------------------------------|----------------------------------|----------------------------------|----------------------------------|---|----------------------------------|----------------------------------|----------------------------------|---------------------------------|----------------------------------|----------------------------------|---|----------------------------------|---|---|--------------------------------|---------------------------------|--------------------------------|
| 45-20 | mm | 915 | | 913 | 687 | 975 | 990 | 1709 | 1145 | | 1260 | 700 | 910 | 130 | 250 | 250 | | 230 | | | 70 | 60 | 10 |
| 50-4 | inch | 36 ¹ / ₄ | | 35 ¹⁵ / ₁₆ | 27 ³ / ₁₆ | 38 ³ / ₁₆ | 38 ³ / ₁₆ | 67 ⁵ / ₁₆ | 45 ¹ / ₁₆ | | 49 ⁵ / ₁₆ | 27 ⁹ / ₁₆ | 35 ¹³ / ₁₆ | 5 ¹ / ₁₆ | 9 ²⁷ / ₃₂ | 9 ²⁷ / ₃₂ | | 9 ¹ / ₁₆ | | | 2 ³ / ₄ | 2 ³ / ₁₆ | 3 ¹ / ₈ |
| 65-30 | mm | 928 | | 955 | 655 | 1007 | 1007 | 1876 | 1517 | | 1617 | 845 | 1165 | 187 | 297,5 | 297,5 | | 297,5 | | | 40 | 60 | 20 |
| 71-5 | inch | 36 ¹⁷ / ₃₂ | | 37 ¹⁹ / ₃₂ | 25 ²⁹ / ₃₂ | 39 ¹ / ₁₆ | 39 ¹ / ₁₆ | 73 ⁵⁹ / ₆₄ | 59 ²³ / ₃₂ | | 63 ¹³ / ₁₆ | 33 ¹⁷ / ₆₄ | 45 ⁴⁹ / ₆₄ | 7 ²³ / ₆₄ | 11 ⁴⁵ / ₆₄ | 11 ⁴⁵ / ₆₄ | | 11 ⁴⁵ / ₆₄ | | | 1 ⁹ / ₁₆ | 2 ²³ / ₆₄ | 2 ⁵ / ₃₂ |
| 80-40 | mm | 938 | | 928 | 625 | 1050 | 995 | 1966 | 1710 | | 1810 | 920 | 1341 | 170 | 310 | 310 | | 300 | | | 70 | 60 | 20 |
| 88-6 | inch | 36 ¹⁹ / ₁₆ | | 36 ¹⁷ / ₃₂ | 24 ²⁹ / ₆₄ | 41 ¹¹ / ₃₂ | 39 ¹ / ₁₆ | 77 ¹³ / ₃₂ | 67 ²¹ / ₆₄ | | 71 ¹⁷ / ₆₄ | 36 ² / ₃₂ | 52 ⁵¹ / ₆₄ | 6 ¹¹ / ₁₆ | 12 ¹³ / ₆₄ | 12 ¹³ / ₆₄ | | 11 ¹³ / ₁₆ | | | 2 ³ / ₄ | 2 ²³ / ₆₄ | 2 ⁵ / ₃₂ |
| 100-50 | mm | 995 | | 956 | 647 | 1085 | 1059 | 2140 | 1870 | | 1970 | 980 | 1472 | 180 | 340 | 340 | | 350 | | | 70 | 60 | 20 |
| 110-7 | inch | 39 ¹ / ₁₆ | | 37 ⁴ / ₁₆ | 25 ¹⁵ / ₃₂ | 42 ¹¹ / ₁₆ | 41 ¹¹ / ₁₆ | 84 ¹⁹ / ₆₄ | 73 ³ / ₈ | | 77 ⁹ / ₁₆ | 38 ¹⁹ / ₆₄ | 57 ²⁷ / ₃₂ | 7 ³ / ₃₂ | 13 ³ / ₈ | 13 ³ / ₈ | | 13 ² / ₃₂ | | | 2 ³ / ₄ | 2 ²³ / ₆₄ | 2 ⁵ / ₃₂ |
| 130-70 | mm | 1118 | | 1028 | 646 | 1188 | 1128 | 2510 | 2309 | | 2410 | 1100 | 1826 | 215 | 375 | 375 | | 383 | | | 70 | 60 | 50 |
| 143-8 | inch | 44 | | 40 ¹ / ₂ | 25 ⁷ / ₁₆ | 46 ¹³ / ₁₆ | 44 ⁷ / ₁₆ | 99 | 91 | | 95 | 43 ⁵ / ₁₆ | 72 | 8 ¹⁹ / ₃₂ | 14 ³ / ₈ | 14 ³ / ₈ | | 15 ³ / ₃₂ | | | 2 ³ / ₄ | 2 ²³ / ₆₄ | 2 |



| Pos. Item | Artikel-Nr. Article-No. | Stck./ Masch. Quantity required | Benennung | Nomenclature | Pos. Item | Artikel-Nr. Article-No. | Stck./ Masch. Quantity required | Benennung | Nomenclature |
|-----------|-------------------------|---------------------------------|-----------------------|---------------------------|-----------|-------------------------|---------------------------------|--------------------------|---------------------------|
| 1 | Z131A-01A.00 | 1 | Körperplatte kpl. | Machine frame, front side | 21 | Z131A-03A.13 | 1 | Sechskant-Paßschraube | Hex. frame bolt |
| 2 | Z131A-01.02 | 1 | Ausladeverstärkung | Spacer, lower | 22 | 90093631 | 19 | Sechskantmutter | Hex. nut |
| 4 | Z131A-02.00 | 1 | Deckplatte kpl. | Cover plate | 27 | Z131A-03A.04 | 1 | Deckel f. Werkzeugkasten | Tool compartment door |
| 5 | Z131A-03.01 | 1 | Blechkasten | Base plate | 29 | 90148142 | 4 | Spannhülse | Tension pin |
| 6 | Z131A-03A.01 | 1 | Stützblech | Support plate | 30 | Z133-03.39 | 2 | Klemmfeder | Clamp |
| 10 | Z133-03.13 | 20 | Führungsscheibe | Gib | 31 | 90066033 | 4 | Halbrundniet | Rivet |
| 12 | Z131-03.12 | 8 | Druckschraube | Gib adjusting screw | 32 | 90148160 | 2 | Spannhülse | Tension pin |
| 13 | Z131-03.13 | 1 | Druckschraube | Gib adjusting screw | 33 | Z131A-03A.00 | 1 | Deckel für Elektrik | Electric compartment door |
| 14 | 90093631 | 9 | Sechskantmutter | Hex. nut | 34 | 90093635 | 2 | Senkschraube | Countersunk screw |
| 15 | Z131A-03.04 | 1 | Zwischenstück oben | Spacer top | 39 | 90091346 | 2 | Gewindestift | Socket set screw |
| 16 | 90148135 | 14 | Spannhülse | Tension pin | 40 | 90093431 | 2 | Sechskantmutter | Hex. nut |
| 17 | 90058031 | 1 | Ringschraube | Lifting eye bolt | 41 | 90148121 | 2 | Spannhülse | Tension pin |
| 18 | Z131A-03.06 | 1 | Sechskant-Paßschraube | Hex. frame bolt | 44 | 811100083 | 35 | Winkel-Einschraubver. | Elbow connector |
| 19 | Z131A-03.07 | 12 | Sechskant-Paßschraube | Hex. frame bolt | 45 | 811100084 | 15 | Schwenkverschraubung | Swivel connector |
| 20 | 90061046 | 1 | Sechskant-Paßschraube | Hex. frame bolt | | | | | |



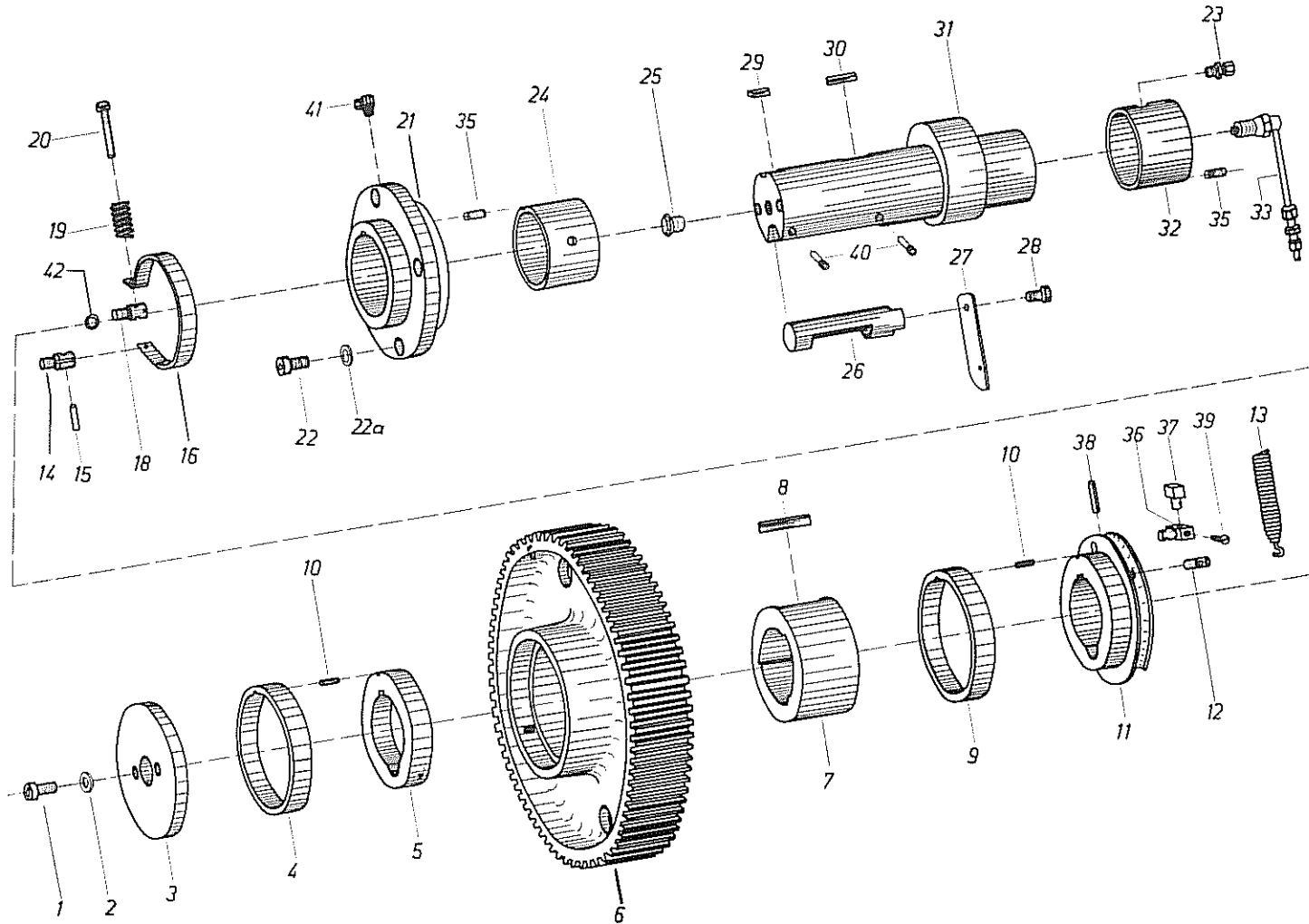
| Pos. Item | Artikel-Nr. Article-No. | Stck./ Masch. Quantity required | Benennung | Nomenclature | Pos. Item | Artikel-Nr. Article-No. | Stck./ Masch. Quantity required | Benennung | Nomenclature |
|-----------|-------------------------|---------------------------------|---------------------|----------------------------|-----------|-------------------------|---------------------------------|-----------------------|-----------------------|
| 1 | Z131A-11.00 | 1 | Schwungradwelle kpl | Flywheel compl. | 8 | Z131-11.02 | 2 | Lagerdeckel | Bearing cover |
| 2 | 900912352 | 1 | Zylinderschraube | Socket head screw | 9 | 810600007 | 2 | Nillos-Ring | Bearing seal |
| 3 | 90012531 | 1 | Scheibe | Washer | 10 | 90062514 | 3 | Ring-Rillenkugellager | Ball bearing |
| 4 | Z131-11.05 | 1 | Deckscheibe | Cap | 11 | Z131A-11.02 | 1 | Schwungradwelle | Flywheel pinion shaft |
| 5 | Z131A-11.03 | 1 | Schwungrad | Flywheel | 12 | 90688539 | 1 | Paßfeder | Key |
| 7 | Z131A-11.01 | 1 | Lagergehäuse | Bearing housing | 13 | 900933208 | 8 | Sechskantschraube | Hex. cap screw |
| 14 | 900912351P | 4 | Zylinderschraube | Socket head screw, special | 14 | 810600003 | 4 | DUBO-Sicherung | Nylon washer |

Exzenterwelle zur Blech- oder
Flachstahlschere

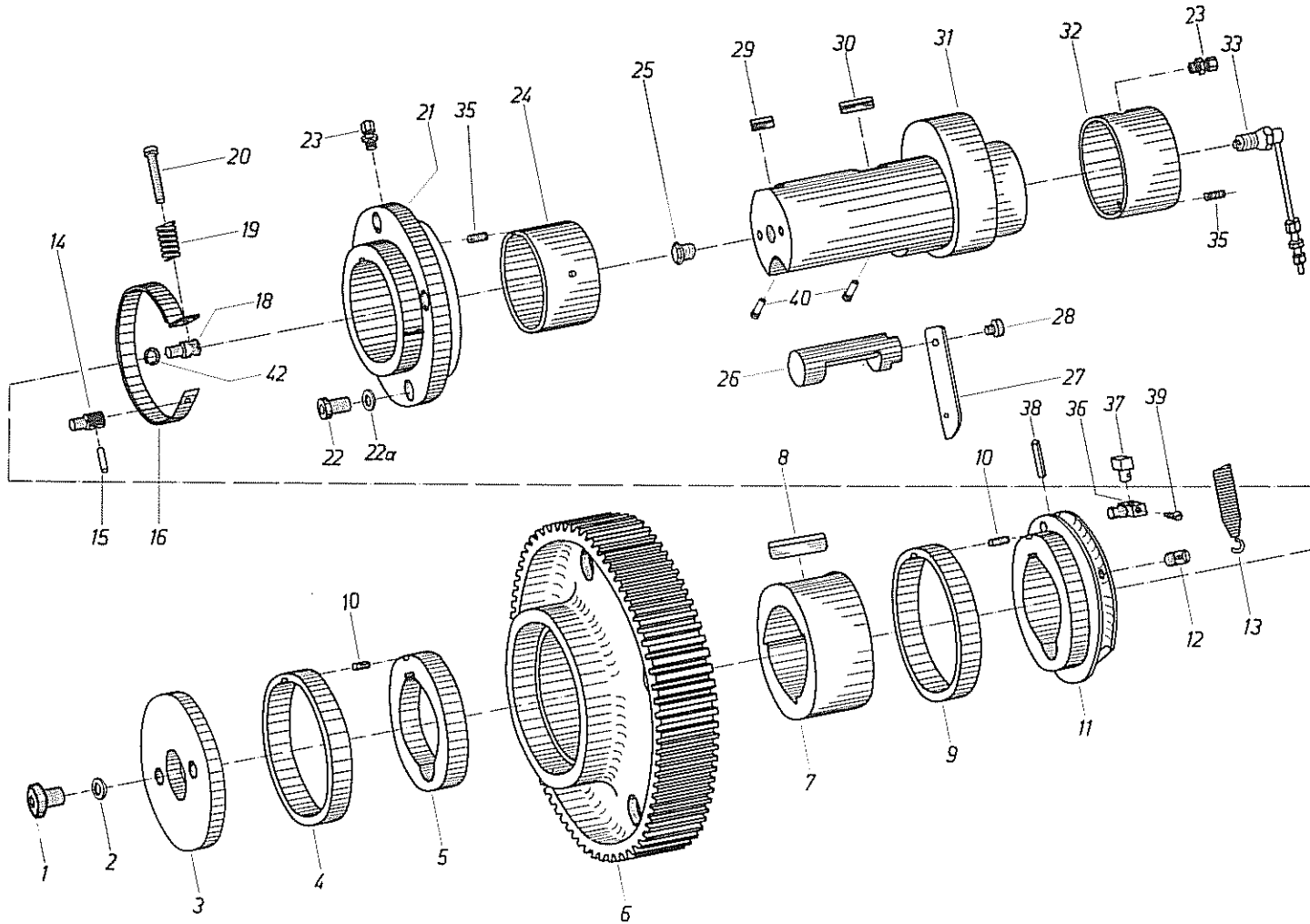
Eccentric Shaft Assembly, Plate Shear

Fig. A 3/1 Z

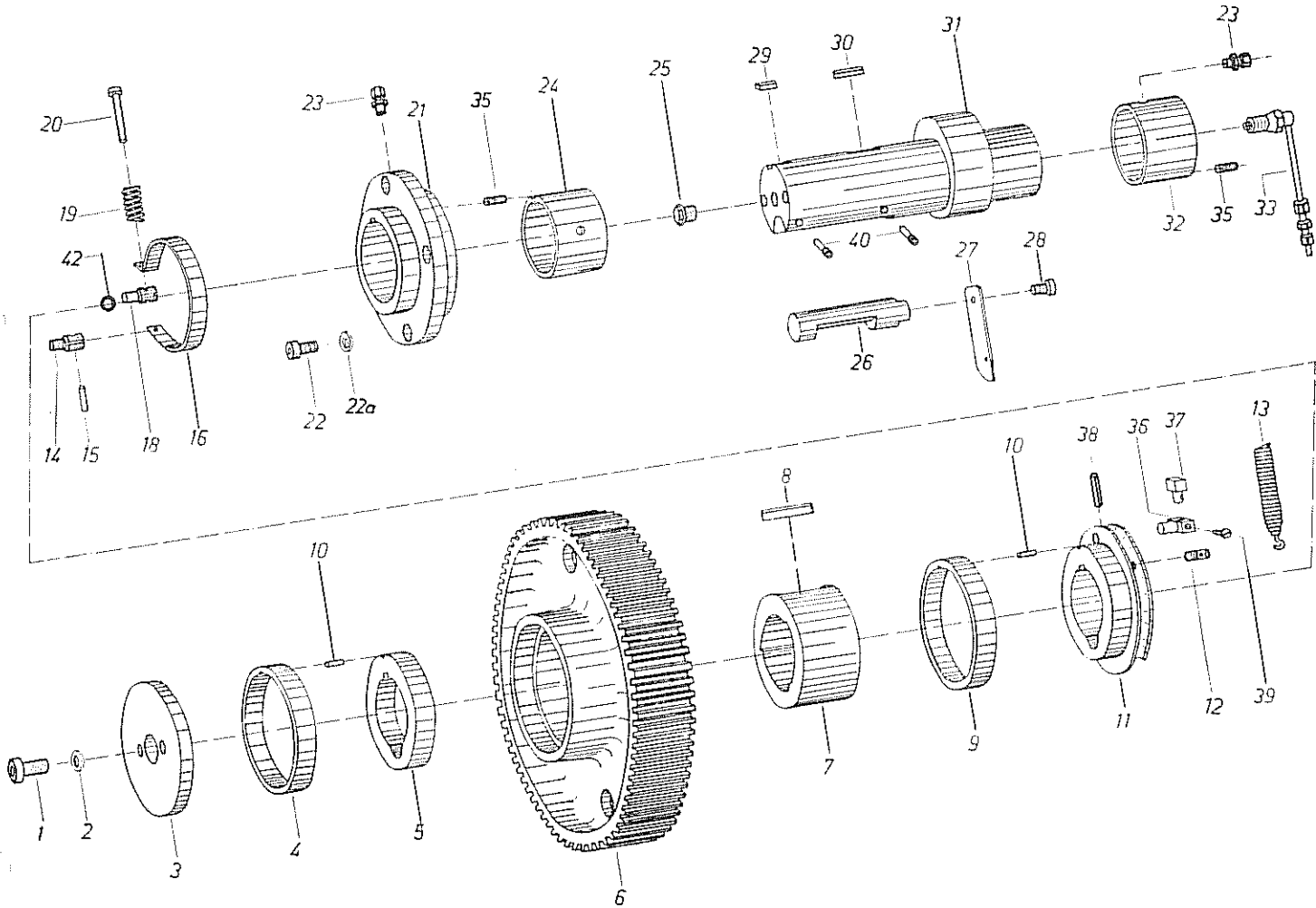
KBL 45-20/KBL 50-4



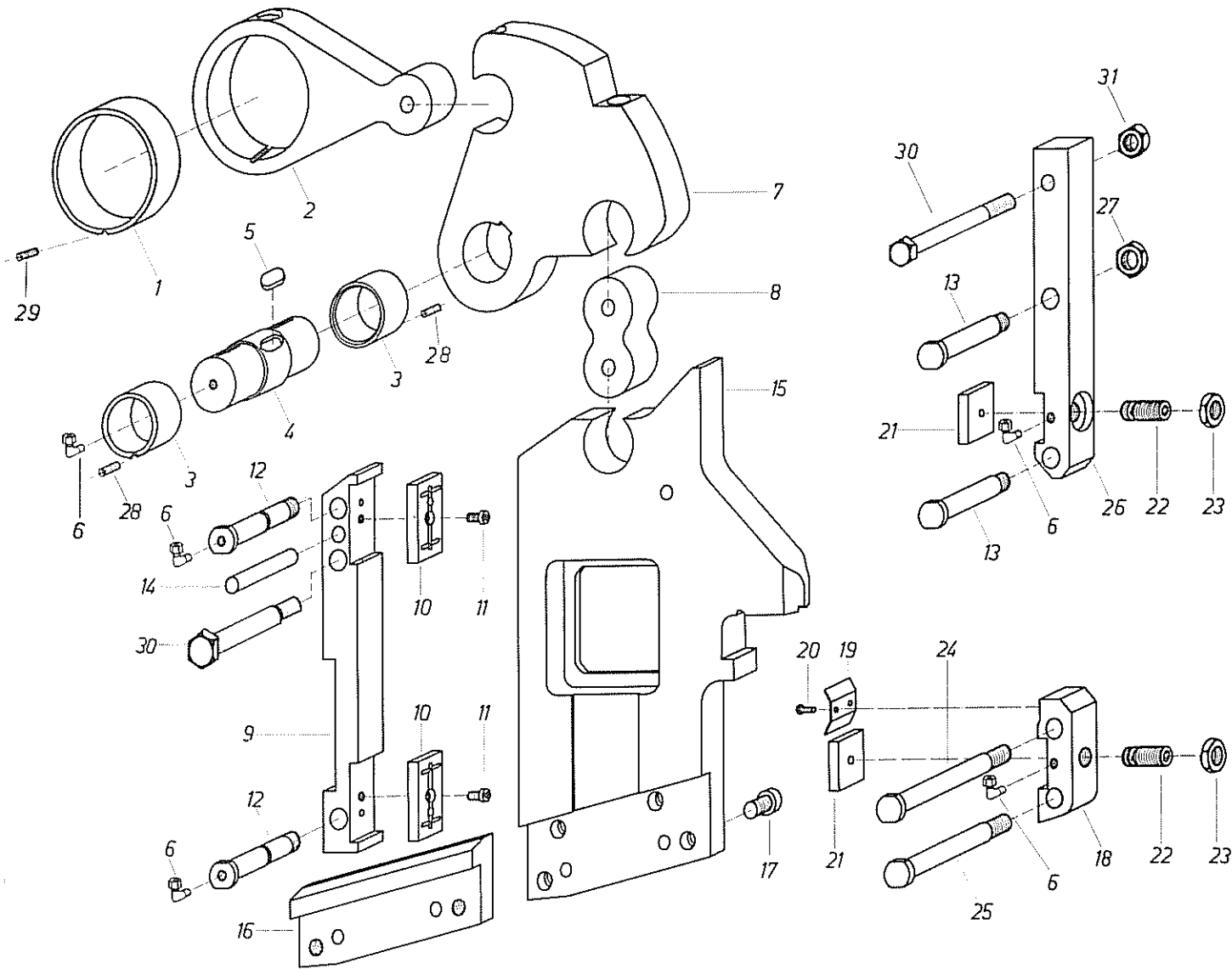
| Pos. Item | Artikel-Nr. Article-No. | Stück./Maassch. Quantity required | Benennung | Nomenclature | Pos. Item | Artikel-Nr. Article-No. | Stück./Maassch. Quantity required | Benennung | Nomenclature |
|-----------|-------------------------|-----------------------------------|------------------------------|----------------------------|-----------|-------------------------|-----------------------------------|-----------------------------|----------------------------|
| 1 | 907984350IP | 2 | Zylinderschraube | Socket head screw, special | 22 | 907984350IP | 4 | Zylinderschraube | Socket head screw, special |
| 2 | 810600003 | 2 | DUBO-Sicherung | Nylon washer | 22a | 810600003 | 4 | DUBO-Sicherung | Nylon washer |
| 3 | Z131-12.20 | 1 | Deckscheibe | Cap | 23 | 811100005 | 3 | gerade Einschraubver. | Straight connector |
| 4 | Z131-12.08 | 1 | Buchse | Bronze bushing | 24 | Z131-12.03 | 1 | Buchse für Flanschlager | Bronze bushing |
| 5 | Z131-12.07 | 1 | Kupplungsring, außen | Outer coupling ring | 25 | 90091011 | 1 | Verschlußschraube | Screw plug |
| 6 | Z131-12.05 | 1 | Kupplungsrad | Gear | 26 | Z131-12.12 | 1 | Drehkeil | Rolling key |
| 7 | Z131-12.16 | 1 | Kupplungsnahe | Coupling sleeve | 27 | Z131A-12.03 | 1 | Anschlagleiste | Rolling key lever |
| 8 | 90688557 | 2 | Paßfeder | Key | 28 | 900912203 | 1 | Zylinderschraube | Socket head screw |
| 9 | Z131-12.10 | 1 | Buchse | Bronze bushing | 29 | 90688531 | 1 | Paßfeder | Key |
| 10 | 90055154 | 4 | Gewindestift | Slotted set screw | 30 | 90688535 | 1 | Paßfeder | Key |
| 11 | Z131-12.09 | 1 | Kupplungsring, innen | Inner coupling ring | 31 | Z131A-12.01 | 1 | Exzenterwelle | Eccentric shaft |
| 12 | Z131-12.11 | 1 | Schalterschraube | Eye screw | 32 | Z131A-12.02 | 1 | Buchse für Körper | Bronze bushing |
| 13 | Z133-12.18 | 1 | Zugfeder | Spring | 33 | 811100085 | 3 | Drehanschluß | Rotary fitting |
| 14 | Z131-15.02 | 2 | Gabelbolzen | Brake band stud screw | 35 | 90055154 | 2 | Gewindestift | Slotted set screw |
| 15 | 90000706 | 2 | Bremsband | Brake band | 36 | Z131-14.04 | 1 | Spannstück | Disengagement pin bracket |
| 16 | Z131-15.05 | 2 | Gewindebolzen | Adjusting screw | 37 | Z131A-12A.01 | 1 | Ausrückbolzen | Disengagement pin |
| 18 | Z131-15.03 | 2 | Druckfeder | Spring | 38 | 90148133 | 1 | Spannhülse | Tension pin |
| 19 | Z131-15.04 | 2 | Zylinderschraube mit Schlitz | Slotted head screw | 39 | Z131-14.06 | 1 | Zylinderschraube | Slotted head screw |
| 20 | 90008456 | 2 | Flanschlager | Bushing flange | 40 | 811100009 | 2 | Einschr.-Widerstands-Ventil | Meter valve |
| 21 | Z131-12.15 | 1 | Flanschlager | Bushing flange | 41 | B11100003 | 7 | Winkel-Einschraubver. | Elbow connector |



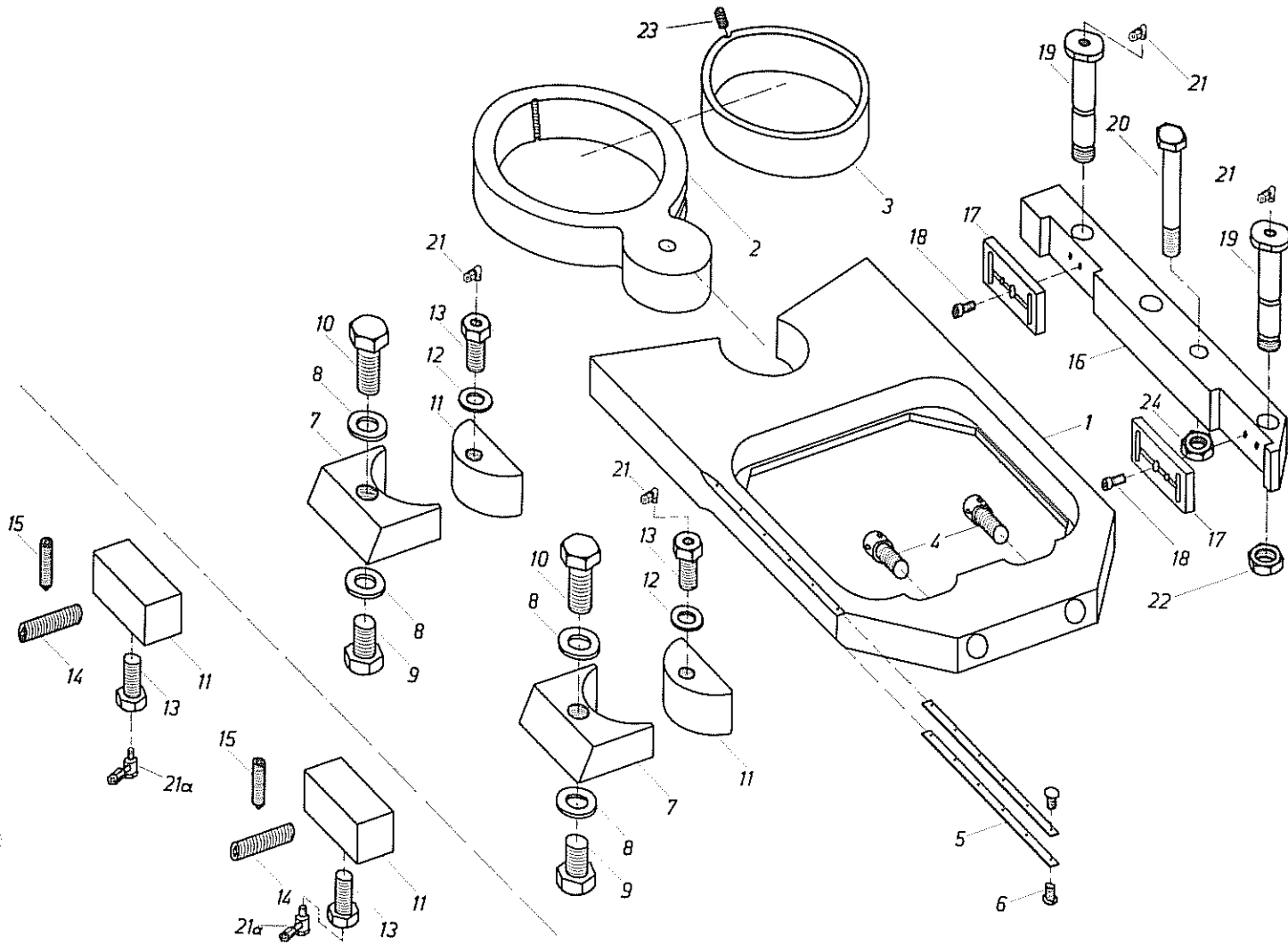
| Pos. Item | Artikel-Nr. Article-No. | Stück./ Maschl. Quantity required | Benennung | Nomenclature | Pos. Item | Artikel-Nr. Article-No. | Stück./ Maschl. Quantity required | Benennung | Nomenclature |
|-----------|-------------------------|-----------------------------------|------------------------------|----------------------------|-----------|-------------------------|-----------------------------------|-----------------------------|----------------------------|
| 1 | 907984350IP | 2 | Zylinderschraube | Socket head screw, special | 22 | 907984350IP | 4 | Zylinderschraube | Socket head screw, special |
| 2 | 810600003 | 2 | DUBO-Sicherung | Nylon washer | 22a | 810600003 | 4 | DUBO-Sicherung | Nylon washer |
| 3 | Z131-13.18 | 1 | Deckscheibe | Cap | 23 | 811100005 | 3 | gerade Einschraubver. | Straight connector |
| 4 | Z131-13.08 | 1 | Buchse | Bronze bushing | 24 | Z131-13.03 | 1 | Buchse für Flanschlager | Bronze bushing |
| 5 | Z131-13.07 | 1 | Kupplungsring, außen | Outer coupling ring | 25 | 90091011 | 1 | Verschlußschraube | Screw plug |
| 6 | Z131-13.05 | 1 | Kupplungsrad | Gear | 26 | Z131-13.11 | 1 | Drehkeil | Rolling key |
| 7 | Z131-13.06 | 1 | Kupplungsnahe | Coupling sleeve | 27 | Z131A-13.06 | 1 | Anschlagleiste | Rolling key lever |
| 8 | 90688557 | 2 | Paßfeder | Key | 28 | 900912203 | 1 | Zylinderschraube | Socket head screw |
| 9 | Z131-13.10 | 1 | Buchse | Bronze bushing | 29 | 90688531 | 1 | Paßfeder | Key |
| 10 | 90055154 | 4 | Gewindestift | Slotted set screw | 30 | 90688535 | 1 | Paßfeder | Key |
| 11 | Z131A-13.05 | 1 | Kupplungsring, innen | Inner coupling ring | 31 | Z131A-13.01 | 1 | Exzenterwelle | Eccentric shaft |
| 12 | Z131-12.11 | 1 | Schaftschraube | Eye screw | 32 | Z131A-13.02 | 1 | Buchse für Körper | Bronze bushing |
| 13 | Z133-12.18 | 1 | Zugfeder | Spring | 33 | 811100085 | 3 | Drehanschluß | Rotary fitting |
| 14 | Z131-15.02 | 1 | Gabelbolzen | Brake band stud screw | 35 | 90055154 | 2 | Gewindestift | Slotted set screw |
| 15 | 90000706 | 1 | Zylinderschliff | Dowel pin | 36 | Z131A-13.03 | 1 | Spannstück | Disengagement pin bracket |
| 16 | Z131-16.02 | 1 | Bremsband | Brake band | 37 | Z131A-12A.01 | 1 | Ausrückbolzen | Disengagement pin |
| 18 | Z131-15.03 | 1 | Gewindebolzen | Adjusting screw | 38 | 90148133 | 1 | Spannhülse | Tension pin |
| 19 | Z131-15.04 | 1 | Druckfeder | Spring | 39 | Z131-14.06 | 1 | Zylinderschraube | Slotted head screw |
| 20 | 90008456 | 1 | Zylinderschraube mit Schlitz | Slotted head screw | 40 | 811100009 | 2 | Einschr.-Widerstands-Ventil | Meter valve |
| 21 | Z131-13.14 | 1 | Flanschlager | Bushing flange | | | | | |



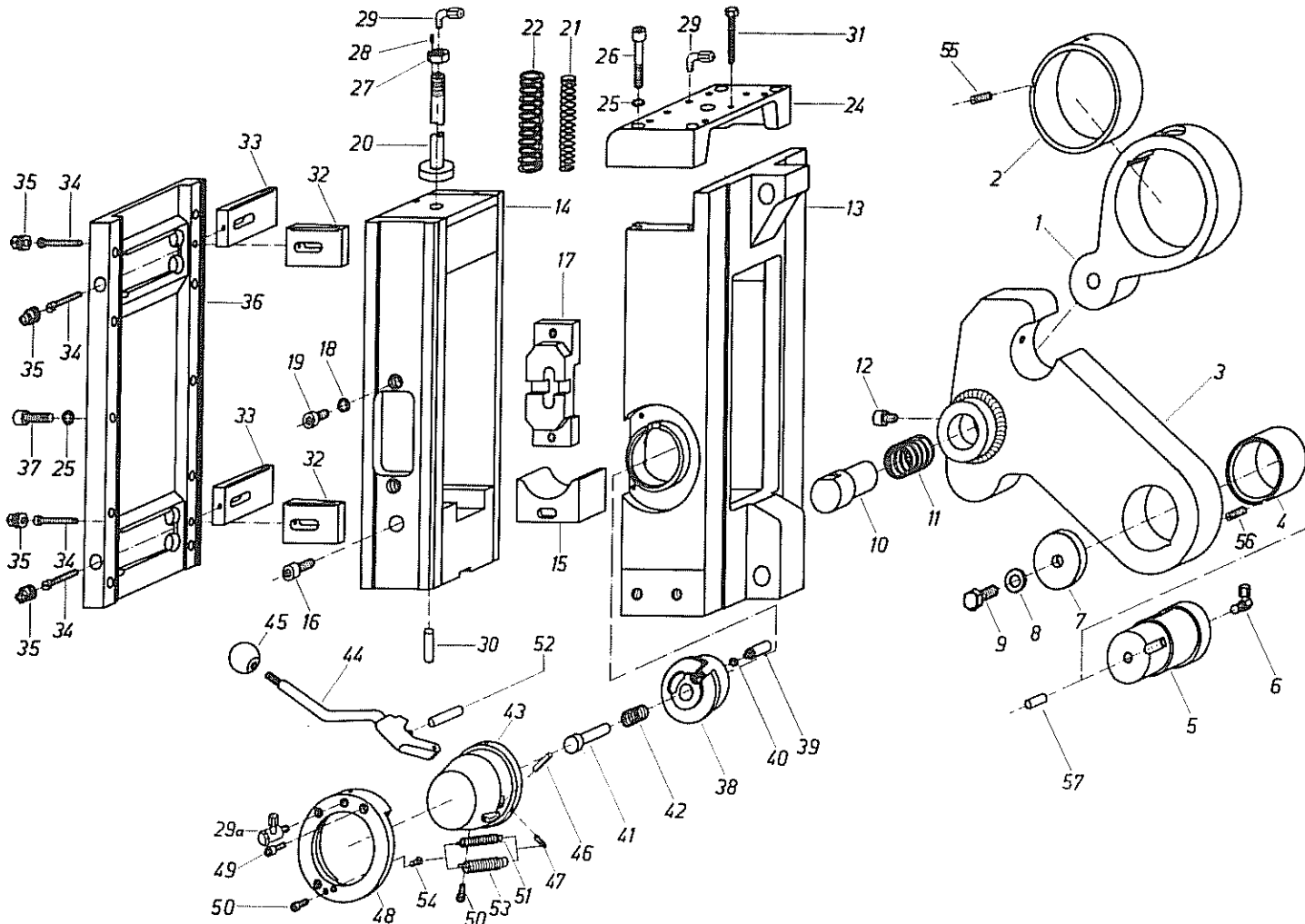
| Pos. Item | Artikel-Nr. Article-No. | Stk./Masch. Quantity required | Benennung | Nomenclature | Pos. Item | Artikel-Nr. Article-No. | Stk./Masch. Quantity required | Benennung | Nomenclature |
|-----------|-------------------------|-------------------------------|------------------------------|----------------------------|-----------|-------------------------|-------------------------------|-----------------------------|----------------------------|
| 1 | 907984350IP | 2 | Zylinderschraube | Socket head screw, special | 22 | 907984350IP | 4 | Zylinderschraube | Socket head screw, special |
| 2 | 810600003 | 2 | DUBO-Sicherung | Nylon washer | 22a | 810600003 | 4 | DUBO-Sicherung | Nylon washer |
| 3 | Z131-12.20 | 1 | Deckscheibe | Cap | 23 | 811100005 | 3 | gerade Einschraubver. | Straight connector |
| 4 | Z131-12.08 | 1 | Buchse | Bronze bushing | 24 | Z131-12.03 | 1 | Buchse für Flanschlager | Bronze bushing |
| 5 | Z131-12.07 | 1 | Kupplungsring, außen | Outer coupling ring | 25 | 90091011 | 1 | Verschlußschraube | Screw plug |
| 6 | Z131-12.05 | 1 | Kupplungsrad | Gear | 26 | Z131-12.12 | 1 | Drehkeil | Rolling key |
| 7 | Z131-12.16 | 1 | Kupplungsnahe | Coupling sleeve | 27 | Z131A-12.03 | 1 | Anschlagleiste | Rolling key lever |
| 8 | 90688557 | 2 | Paßfeder | Key | 28 | 900912203 | 1 | Zylinderschraube | Socket head screw |
| 9 | Z131-12.10 | 1 | Buchse | Bronze bushing | 29 | 90688531 | 1 | Paßfeder | Key |
| 10 | 90055154 | 4 | Gewindestift | Slotted set screw | 30 | 90688535 | 1 | Paßfeder | Key |
| 11 | Z131-12.09 | 1 | Kupplungsring, innen | Inner coupling ring | 31 | Z131A-14.01 | 1 | Exzenterwelle | Eccentric shaft |
| 12 | Z131-12.11 | 1 | Schaftschraube | Eye screw | 32 | Z131A-12.02 | 1 | Buchse für Körper | Bronze bushing |
| 13 | Z133-12.18 | 1 | Zugfeder | Spring | 33 | 811100085 | 3 | Drehanschluß | Rotary fitting |
| 14 | Z131-15.02 | 2 | Gabelbolzen | Brake band stud screw | 35 | 90055154 | 2 | Gewindestift | Slotted set screw |
| 15 | 90007006 | 2 | Zylinderschraube | Dowel pin | 36 | Z131-14.04 | 1 | Spannstück | Disengagement pin bracket |
| 16 | Z131-15.05 | 2 | Bremsband | Brake band | 37 | Z131A-12A.01 | 1 | Ausrückbolzen | Disengagement pin |
| 18 | Z131-15.03 | 2 | Gewindebolzen | Adjusting screw | 38 | 90148133 | 1 | Spannhülse | Tension pin |
| 19 | Z131-15.04 | 2 | Druckfeder | Spring | 39 | Z131-14.06 | 1 | Zylinderschraube | Slotted head screw |
| 20 | 90008456 | 2 | Zylinderschraube mit Schlitz | Slotted head screw | 40 | 811100009 | 2 | Einschr.-Widerstands-Ventil | Meter valve |
| 21 | Z131-14.03 | 1 | Flanschlager | Bushing flange | | | | | |



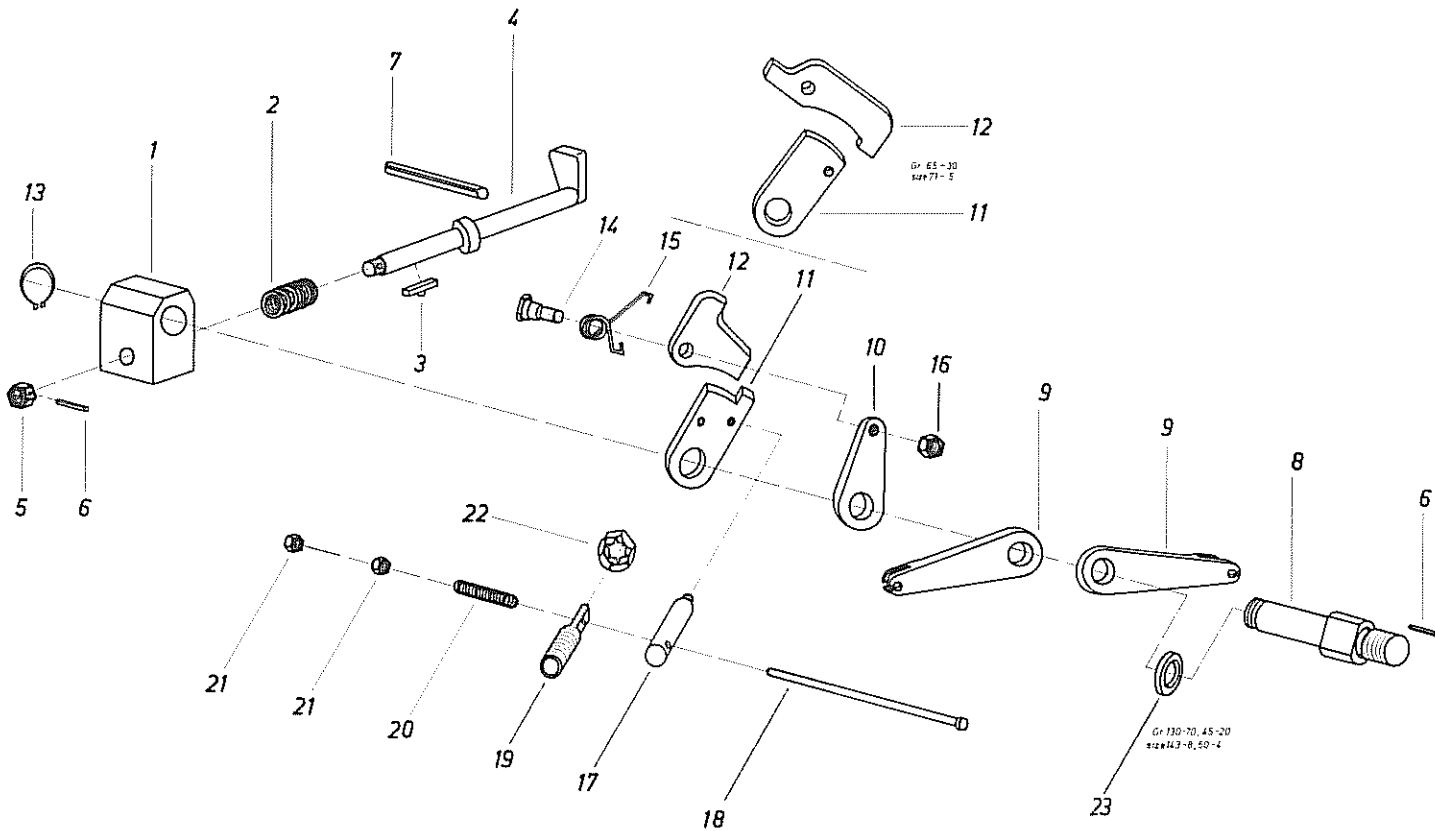
| Pos. Item | Artikel-Nr. Article-No. | Stück./ Masch. Quantity required | Benennung | Nomenclature | Pos. Item | Artikel-Nr. Article-No. | Stück./ Masch. Quantity required | Benennung | Nomenclature |
|-----------|-------------------------|----------------------------------|-----------------------|--------------------|-----------|-------------------------|----------------------------------|-----------------------|-------------------|
| 1 | Z131-21.06 | 1 | Buchse | Bronze bushing | 17 | 906912402 | 4 | Zylinderschraube | Socket head screw |
| 2 | Z131-21.08 | 1 | Druckstück | Connecting rod | 18 | Z131-03.39 | 1 | Zwischenstück, unten | Gib bracket |
| 3 | Z131-21.07 | 2 | Buchse | Bronze bushing | 19 | Z131-03.07 | 1 | Federblech | Wiper |
| 4 | Z131-21.10 | 1 | Drehbolzen | Pivot shaft | 20 | 810600012 | 2 | Hammerschraube | Drive screw |
| 5 | 90698550 | 1 | Paßfeder | Key | 21 | Z131-03.10 | 2 | Führungsstück | Gib |
| 6 | 811100003 | 35 | Winkel-Einschraubver. | Elbow connector | 22 | Z131-03.09 | 2 | Druckschraube | Adjusting screw |
| 7 | Z131-21.09 | 1 | Antriebshebel | Bell crank | 23 | 90093631 | 2 | Sechskantmutter | Hex. nut |
| 8 | Z131-21.02 | 1 | Druckstück | Connecting link | 24 | Z131A-03A.13 | 1 | Sechskant-Paßschraube | Hex. frame bolt |
| 9 | Z131-03.05 | 1 | Führungsleiste | Gib bracket | 25 | 90061046 | 1 | Sechskant-Paßschraube | Hex. frame bolt |
| 10 | Z131-03.04 | 2 | Gießstück | Gib | 26 | Z131A-03.03 | 1 | Zwischenstück, oben | Gib bracket |
| 11 | 906912252 | 4 | Zylinderschraube | Socket head screw | 27 | 90093631 | 19 | Sechskantmutter | Hex. nut |
| 12 | Z131A-03.05 | 3 | Sechskant-Paßschraube | Hex. frame bolt | 28 | 90055154 | 2 | Gewindestift | Slotted set screw |
| 13 | Z131A-03.07 | 12 | Sechskant-Paßschraube | Hex. frame bolt | 29 | 90055154 | 1 | Gewindestift | Slotted set screw |
| 14 | 90143325 | 1 | Bolzen | Dowel pin | 30 | Z131A-03A.14 | 2 | Sechskantschraube | Hex. cap screw |
| 15 | Z131A-31.01 | 1 | Scherenschlitten | Slide, plate shear | 31 | 90093621 | 3 | Sechskantmutter | Hex. nut |
| 16 | Z131A-31.02 | 1 | Messerleiste | Blade holder | | | | | |



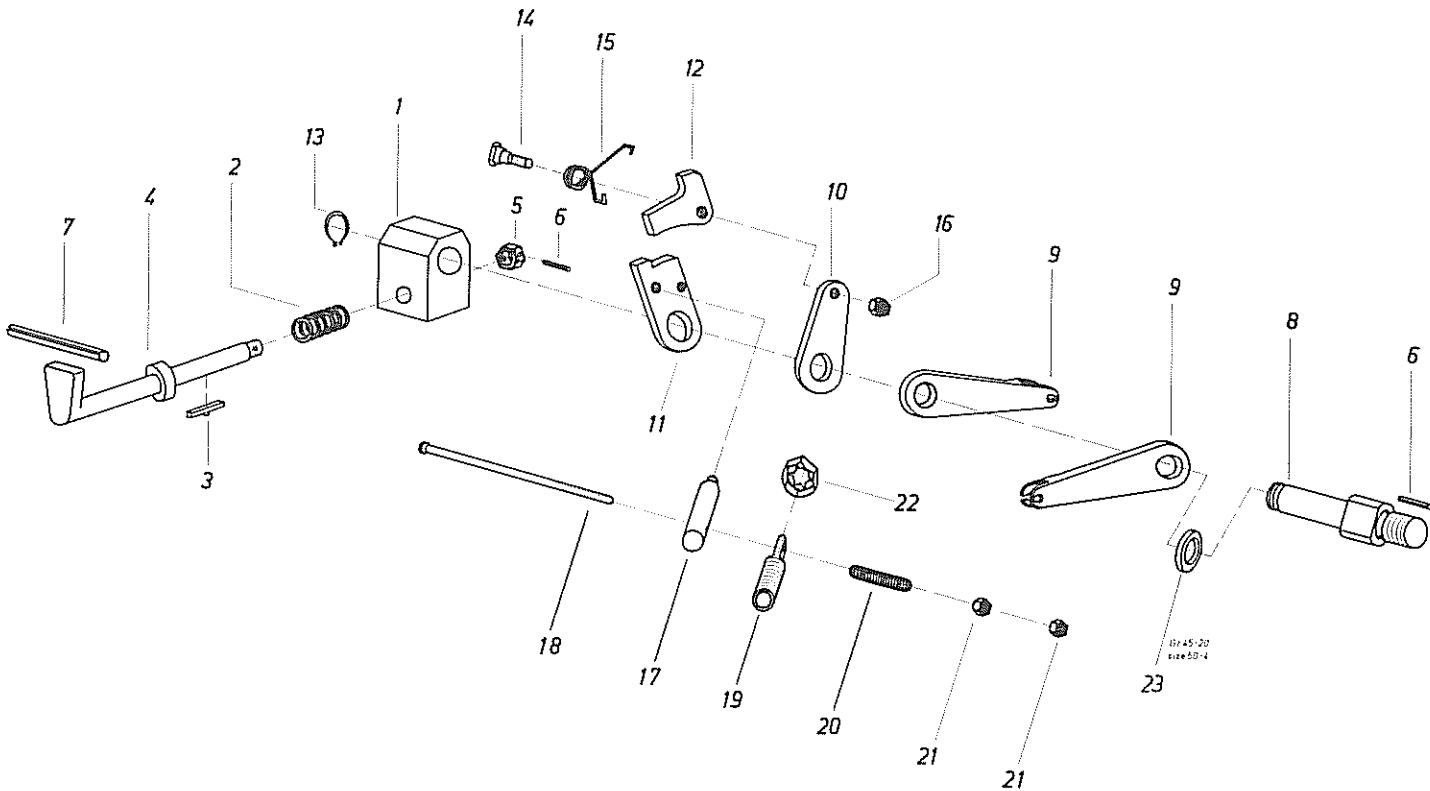
| Pos. Item | Artikel-Nr. Article-No. | Stück./ Masch. Quantity required | Benennung | Nomenclature | Pos. Item | Artikel-Nr. Article-No. | Stück./ Masch. Quantity required | Benennung | Nomenclature |
|-----------|-------------------------|----------------------------------|-------------------|---------------------------|-----------|-------------------------|----------------------------------|-----------------------|-------------------|
| 1 | Z131-32.01 | 1 | Profilschlitten | Slide, section shear | 16 | Z131-03.03 | 1 | Führungsleiste | Gib bracket |
| 2 | Z131-22.01 | 1 | Druckstück | Connecting rod | 17 | Z131-03.04 | 2 | Gleitstück | Gib |
| 3 | Z131-22.02 | 1 | Buchse | Bronze bushing | 18 | 906912252 | 4 | Zylinderschraube | Socket head screw |
| 4 | Z133-32.02 | 1 | Kreuzlochschaube | Knife block locking screw | 19 | Z131A-03.05 | 3 | Sechskant-Paßschraube | Hex. frame bolt |
| 5 | Z133-32.03 | 2 | Abdeckleiste | Protection strip | 20 | Z131A-03A.14 | 2 | Sechskantschraube | Hex. cap screw |
| 6 | B10600014 | 12 | „POP“-Blindniet | Drive screw | 21 | 811100003 | 35 | Winkel-Einschraubver. | Elbow connector |
| 11 | Z131-03.01 | 2 | Gleitstück | Gib | 21a | 811100004 | 15 | Schwenkverschraubung | Swivel connector |
| 13 | Z131-03.02 | 2 | Sechskantschraube | Hex. cap screw | 22 | 90093631 | 19 | Sechskantmutter | Hex. nut |
| 14 | 90091377 | 2 | Gewindestift | Socket set screw | 23 | 90055164 | 1 | Gewindestift | Slotted set screw |
| 15 | 90091446 | 2 | Gewindestift | Socket set screw | 24 | 90093621 | 3 | Sechskantmutter | Hex. nut |



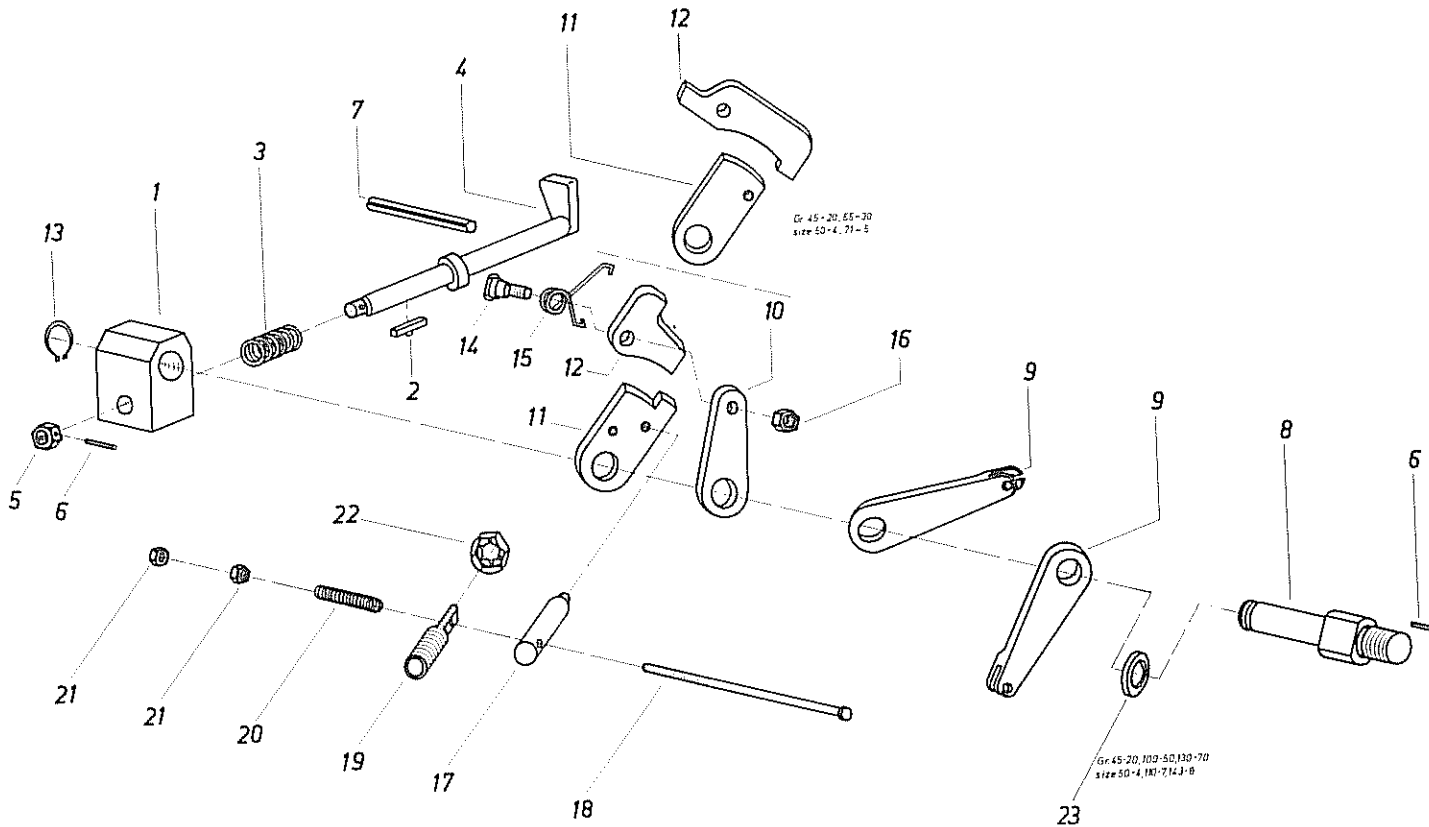
| Pos. Item | Artikel-Nr. Article-No. | Stück./ Mensch. Quantity required | Benennung | Nomenclature | Pos. Item | Artikel-Nr. Article-No. | Stück./ Mensch. Quantity required | Benennung | Nomenclature |
|-----------|-------------------------|--|-----------------------|----------------------------|-----------|-------------------------|--|---------------------|----------------------------|
| 1 | Z131-23.01 | 1 | Druckstück | Connecting rod | 30 | 90000770 | 1 | Zylinderstift | Dowel pin |
| 2 | Z131-23.02 | 1 | Buchse | Bronze bushing | 31 | 900933265 | 1 | Sechskantschraube | Hex. cap screw |
| 3 | Z131-23.03 | 1 | Kniehebel | Bell crank | 32 | Z131-33.02 | 2 | Führungsstück | Gib |
| 4 | Z131-23.10 | 1 | Buchse | Bronze bushing | 33 | Z131-33.04 | 2 | Führungsstück | Gib |
| 5 | Z131A-23.01 | 1 | Drehbolzen | Pivot shaft | 34 | 90008446 | 4 | Zylinderschraube | Slotted head screw |
| 6 | 811100003 | 7 | Winkel-Einschraubver. | Elbow connector | 35 | Z131-33.16 | 4 | Kernstopfen | Lock screw |
| 7 | Z131-23.06 | 1 | Deckscheibe | Cap | 36 | Z131-33.03 | 1 | Gehäusedeckel, vorn | Punch housing cover |
| 8 | 90012531 | 1 | Scheibe | Washer | 37 | 900912254IP | 8 | Zylinderschraube | Socket head screw, special |
| 9 | 900933358 | 1 | Sechskantschraube | Hex. cap screw | 38 | Z131A-48.01 | 1 | Sucherscheibe | Center spotter hub |
| 10 | Z131-23.07 | 1 | Federbolzen | Bell crank stud | 39 | Z131-48.02 | 1 | Sucherbolzen | Threaded pin |
| 11 | Z131-23.13 | 1 | Druckfeder | Spring | 40 | 90047111 | 1 | Sicherungsring | Retaining ring |
| 12 | Z131-23.09 | 1 | Zylinderschraube | Socket head screw | 41 | Z131-48.03 | 1 | Ausrückbolzen | Disengagement pin |
| 13 | Z131-33.15 | 1 | Stanzengehäuse | Punch housing | 42 | Z131-48.11 | 1 | Druckfeder | Spring |
| 14 | Z131A-34.01 | 1 | Stanzenschlitten | Punch slide | 43 | Z131A-48.02 | 1 | Suchergehäuse | Center spotter cap |
| 15 | Z131-33.09 | 1 | Druckpfanne | Saddle | 44 | Z131-48.12 | 1 | Sucherhebel | Center spotter lever |
| 16 | Z131-33.10 | 1 | Zylinderschraube | Socket head screw | 45 | 90031971 | 1 | Kugelknopf | Ball knob |
| 17 | Z131A-33.01 | 1 | Führungplatte | Slide block | 46 | 90148132 | 1 | Spannhülse | Tension pin |
| 18 | 810600001 | 2 | DUBO-Sicherung | Nylon washer | 47 | Z133-48.07 | 1 | Federöse | Eye screw |
| 19 | 907984252IP | 2 | Zylinderschraube | Socket head screw, special | 48 | Z131A-48.03 | 1 | Deckring | Center spotter bracket |
| 20 | Z131-33.08 | 1 | Federbolzen kpl. | Punch slide bolt | 49 | 900912204 | 3 | Zylinderschraube | Socket head screw |
| 21 | Z131-33.07 | 1 | Schraubendruckfeder | Spring | 50 | 900912153 | 2 | Zylinderschraube | Socket head screw |
| 22 | Z131-33.14 | 1 | Gehäusedeckel, oben | Punch housing cap | 51 | Z131-48.13 | 1 | Zugfeder, innen | Spring |
| 23 | 810600001 | 12 | DUBO-Sicherung | Nylon washer | 52 | 90000733 | 1 | Zylinderstift | Dowel pin |
| 24 | 900912256IP | 4 | Zylinderschraube | Socket head screw, special | 53 | Z131-48.14 | 1 | Zugfeder, außen | Spring |
| 25 | 900933625 | 1 | Sechskantmutter | Hex. nut | 54 | 90008441 | 1 | Zylinderschraube | Slotted head screw |
| 26 | 90148104 | 1 | Spannhülse | Tension pin | 55 | 90055154 | 1 | Gewindestift | Slotted set screw |
| 27 | 811100003 | 35 | Winkel-Einschraubver. | Elbow connector | 56 | 90055154 | 1 | Gewindestift | Slotted set screw |
| 28 | 811100004 | 15 | Schwenkverschraubung | Swivel connector | 57 | 90000753 | 1 | Zylinderstift | Dowel pin |



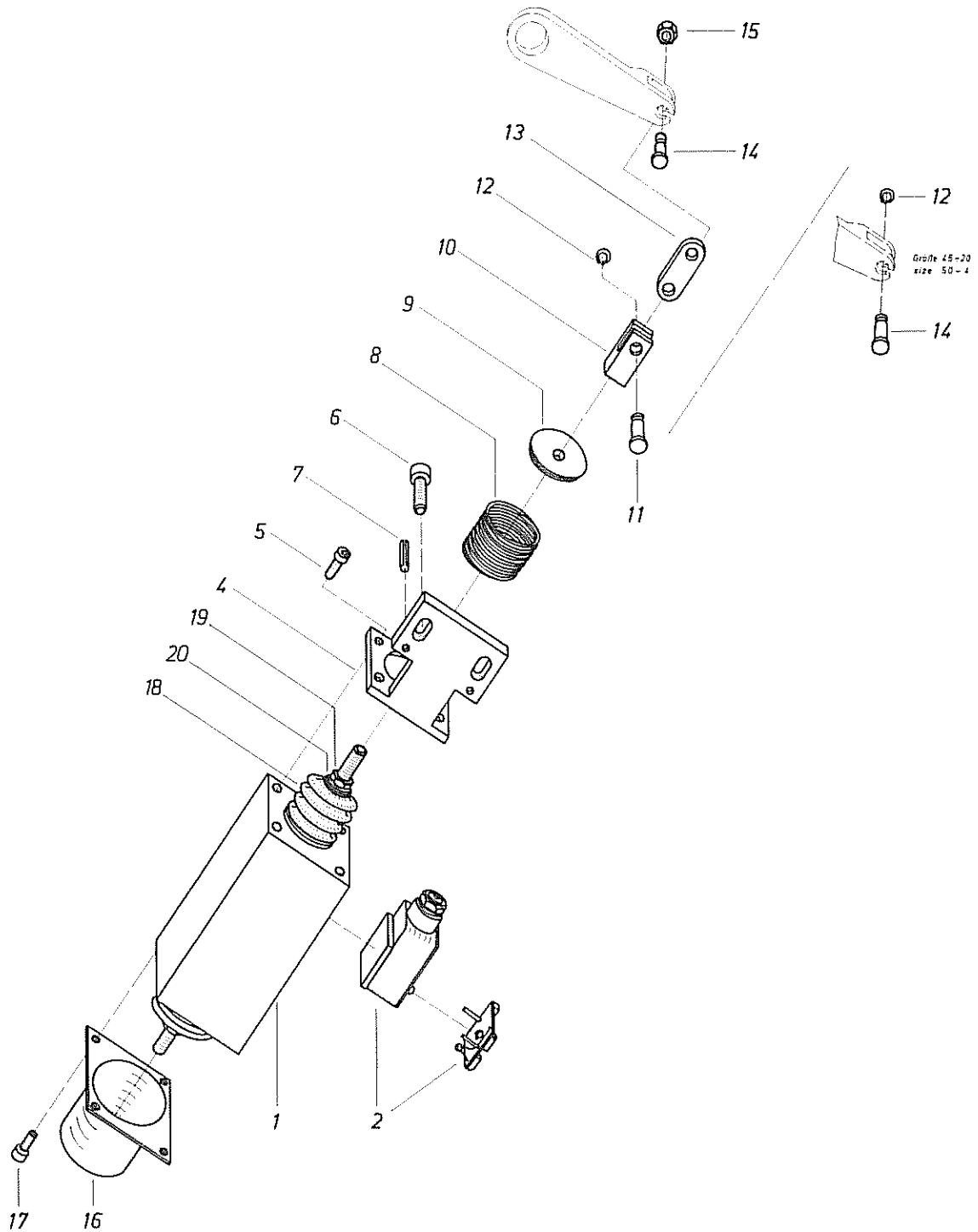
| Pos. Item | Artikel-Nr. Article-No. | Stück./ Mensch. Quantity required | Benennung | Nomenclature | Pos. Item | Artikel-Nr. Article-No. | Stück./ Mensch. Quantity required | Benennung | Nomenclature |
|-----------|-------------------------|--|---------------------|-----------------------|-----------|-------------------------|--|-----------------|----------------|
| 1 | Z131A-41.02 | 1 | Aufnahmeböckchen | Support block | 12 | Z131A-41.04 | 1 | Rasthebel | Engaging lever |
| 2 | Z601-41.16 | 1 | Druckfeder | Spring | 13 | 90047131 | 1 | Sicherungsring | Retaining ring |
| 3 | 810600015 | 1 | Zapfenfeder | Guide pin | 14 | Z131A-41A.09 | 1 | Bolzen | Pivot bolt |
| 4 | Z131A-41.01 | 1 | Anschlagarm | Trip arm | 15 | Z131A-41A.08 | 1 | Schenkelfeder | Spring |
| 5 | 90093435 | 1 | Sechskantmutter | Hex. nut | 16 | 90099521 | 1 | Sechskantmutter | Hex. nut |
| 6 | 90148107 | 2 | Spannhülse | Tension pin | 17 | Z133A-41A.07 | 1 | Führungsbolzen | Eye pin |
| 7 | 90148161 | 1 | Spannhülse | Tension pin | 18 | Z164-47.02 | 1 | Federbolzen | Spring rod |
| 8 | Z131A-41A.01 | 1 | Drehbolzen | Stud bolt | 19 | Z131A-41A.06 | 1 | Gewindestift | Eye screw |
| 9 | Z131A-41A.02 | 1 | Hebel für Zugstange | Lever, connecting rod | 20 | Z133A-41A.10 | 1 | Druckfeder | Spring |
| 10 | Z131A-41.07 | 1 | Hebel | Lever | 21 | 90093415 | 4 | Sechskantmutter | Hex. nut |
| 11 | Z131A-41.03 | 1 | Hebel | Thrust lever | 23 | Z135A-45.01 | 1 | Scheibe | Washer |



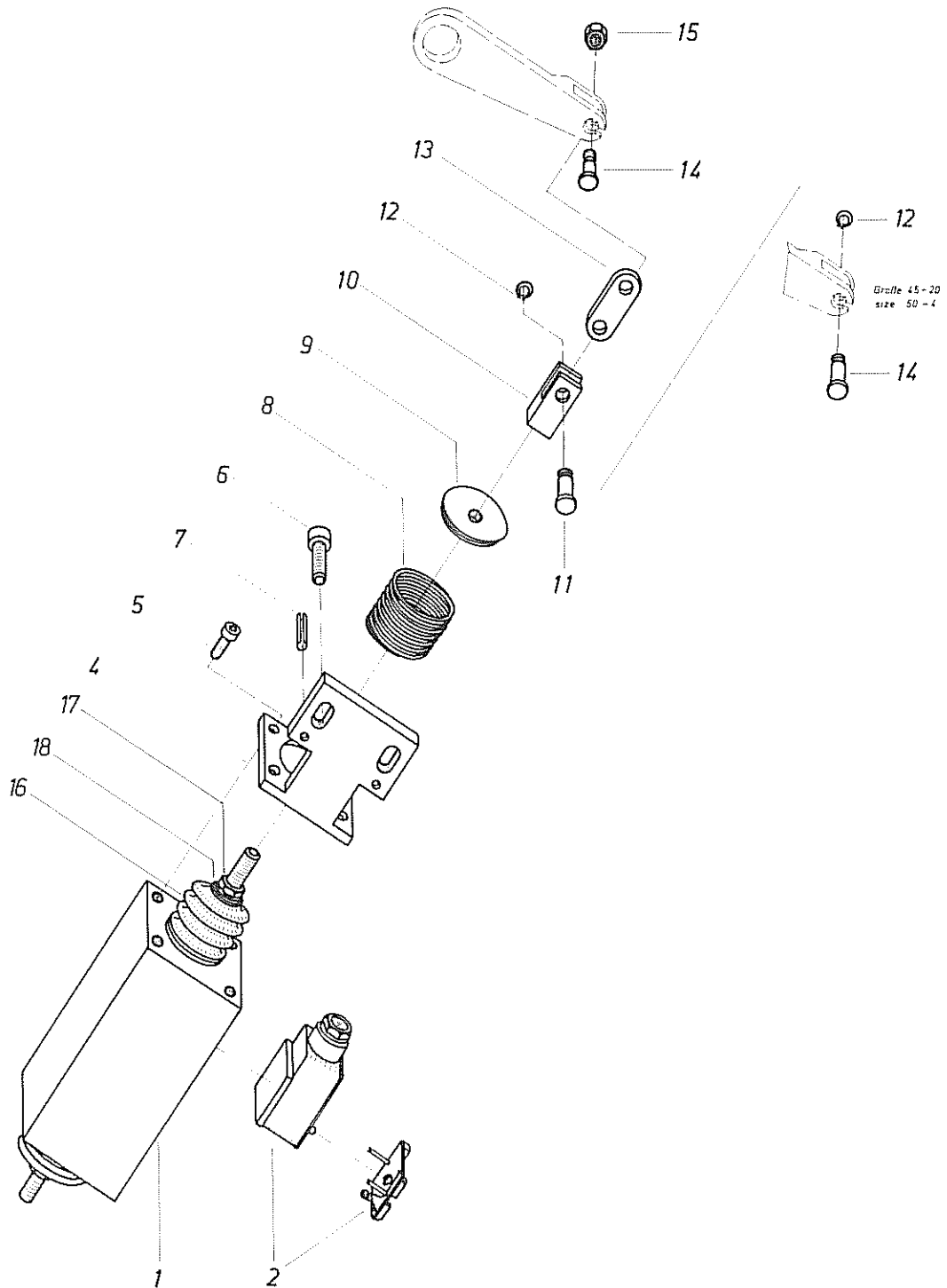
| Pos. Item | Artikel-Nr. Article-No. | Stck./Masch. Quantity required | Benennung | Nomenclature | Pos. Item | Artikel-Nr. Article-No. | Stck./Masch. Quantity required | Benennung | Nomenclature |
|-----------|-------------------------|--------------------------------|---------------------|-----------------------|-----------|-------------------------|--------------------------------|------------------|----------------|
| 1 | Z131A-41.02 | 1 | Aufnahmeböckchen | Support block | 12 | Z131A-41.04 | 1 | Rasthebel | Engaging lever |
| 2 | Z601-41.16 | 1 | Druckfeder | Spring | 13 | 90047131 | 1 | Sicherungsring | Retaining ring |
| 3 | 810600015 | 1 | Zapfenfeder | Guide pin | 14 | Z131A-41A.09 | 1 | Bolzen | Pivot bolt |
| 4 | Z131A-41.01 | 1 | Anschlagarm | Trip arm | 15 | Z131A-42A.02 | 1 | Schenkeifeder | Spring |
| 5 | 90093435 | 1 | Sechskantmutter | Hex. nut | 16 | 90098521 | 1 | Sechskantmutter | Hex. nut |
| 6 | 90148107 | 2 | Spannhülse | Tension pin | 17 | Z133A-42 A.01 | 1 | Führungsbolzen | Eye pin |
| 7 | 90148161 | 1 | Drehbolzen | Tension pin | 18 | Z163-411.03 | 1 | Federbolzen | Spring rod |
| 8 | Z131A-41A.01 | 1 | Hebel für Zugstange | Stud bolt | 19 | Z131A-41A.06 | 1 | Gewindestift | Eye screw |
| 9 | Z131A-41A.02 | 1 | Hebel | Lever, connecting rod | 20 | Z133A-41A.10 | 1 | Druckfeder | Spring |
| 10 | Z131A-41.07 | 1 | Hebel | Lever | 21 | 90093415 | 2 | Sechskantmutter | Hex. nut |
| 11 | Z131A-41.03 | 1 | Hebel | Thrust lever | 22 | 90796735 | 1 | Sicherungsmutter | Lock nut |
| | | | | | 23 | Z135A-45.01 | 1 | Scheibe | Washer |



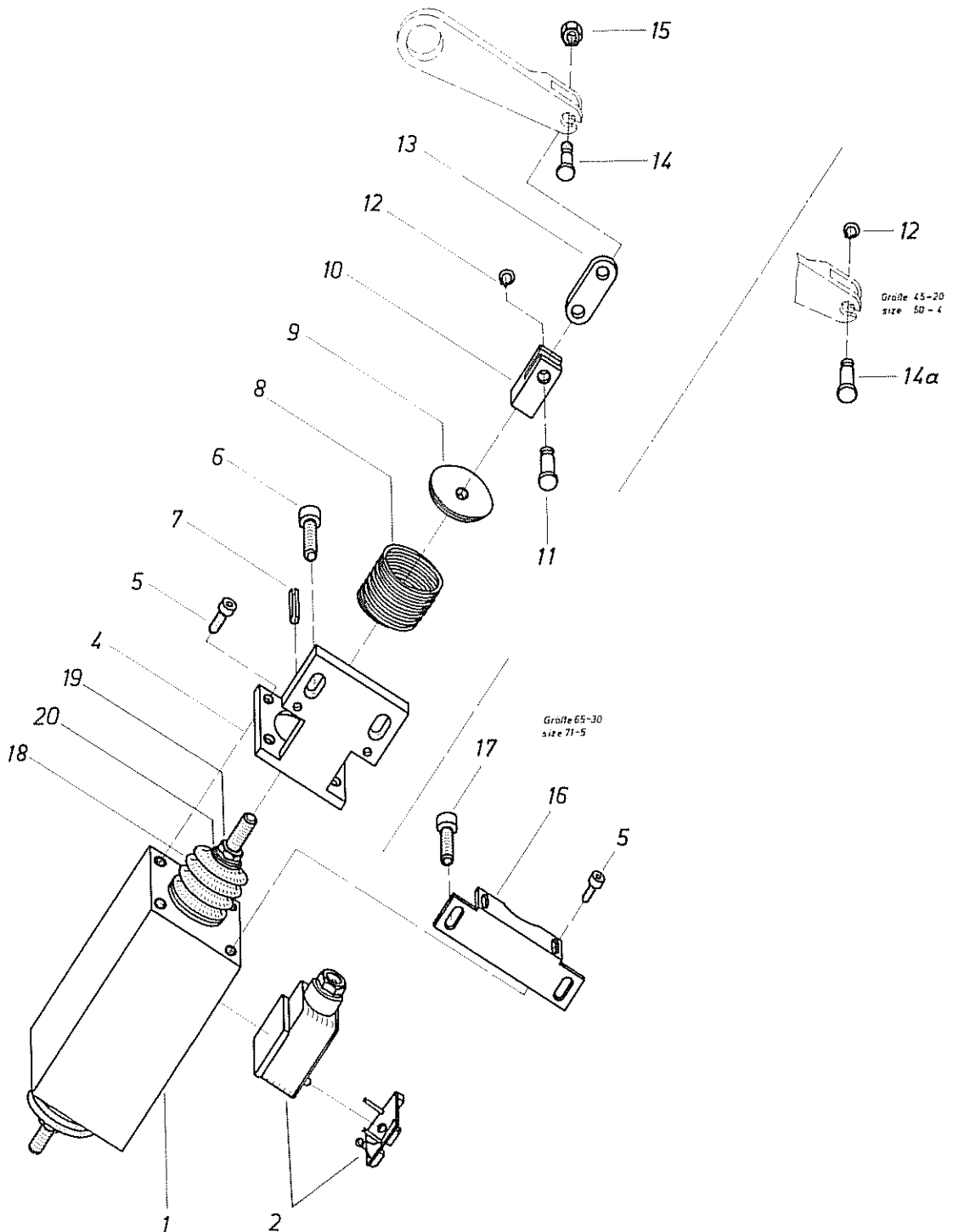
| Pos. Item | Artikel-Nr. Article-No. | Stück./ Maschl. Quantity required | Benennung | Nomenclature | Pos. Item | Artikel-Nr. Article-No. | Stück./ Maschl. Quantity required | Benennung | Nomenclature |
|-----------|-------------------------|-----------------------------------|---------------------|-----------------------|-----------|-------------------------|-----------------------------------|------------------|----------------|
| 1 | Z131A-41.02 | 1 | Aufnahmeböckchen | Support block | 13 | 90047131 | 1 | Sicherungsring | Retaining ring |
| 2 | 810500015 | 1 | Zapfenfeder | Guide pin | 14 | Z131A-41A.09 | 1 | Bolzen | Pivot bolt |
| 3 | Z601-41.16 | 1 | Druckfeder | Spring | 15 | Z131A-43A.02 | 1 | Schenkelfeder | Spring |
| 4 | Z131A-41.01 | 1 | Anschlagarm | Trip arm | 16 | 90098521 | 1 | Sechskantmutter | Hex. nut |
| 5 | 90093435 | 1 | Sechskantmutter | Hex. nut | 17 | Z133A-41A.07 | 1 | Führungsbolzen | Eye pin |
| 6 | 90148107 | 2 | Spannhülse | Tension pin | 18 | Z163-411.03 | 1 | Federbolzen | Spring rod |
| 7 | 90148161 | 1 | Spannhülse | Tension pin | 19 | Z133A-42A.03 | 1 | Gewindestift | Eye screw |
| 8 | Z131A-41A.01 | 1 | Drehbolzen | Stud bolt | 20 | Z133A-41A.10 | 1 | Druckfeder | Spring |
| 9 | Z131A-41A.02 | 1 | Hebel für Zugstange | Lever, connecting rod | 21 | 90093415 | 2 | Sechskantmutter | Hex. nut |
| 10 | Z131A-41.07 | 1 | Hebel | Lever | 22 | 90796735 | 1 | Sicherungsmutter | Lock nut |
| 11 | Z131A-43.01 | 1 | Hebel | Thrust lever | 23 | Z135A-45.01 | 1 | Scheibe | Washer |
| 12 | Z131A-43.02 | 1 | Rasthebel | Engaging lever | | | | | |



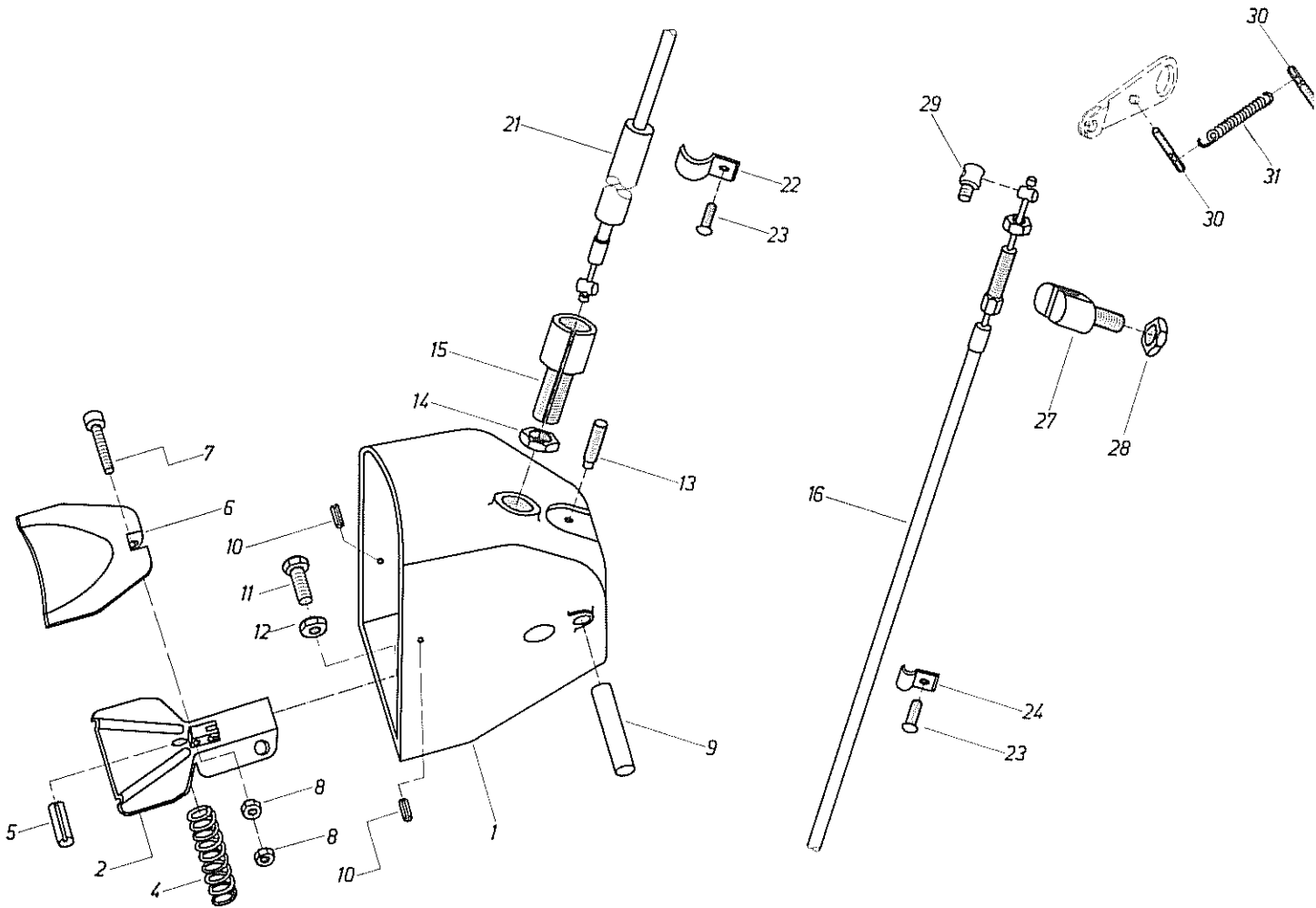
| Pos. Item | Artikel-Nr. Article-No. | Stück./ Masch. Quantity required | Benennung | Nomenclature | Pos. Item | Artikel-Nr. Article-No. | Stück./ Masch. Quantity required | Benennung | Nomenclature |
|-----------|-------------------------|---|-------------------------|-------------------|-----------|-------------------------|---|------------------------------|-------------------|
| 1 | 810100001 | 1 | Hubmagnet | Solenoid | 11 | Z131A-41A.03 | 1 | Bolzen | Clevis pin |
| 2 | 810100002 | 3 | Gleichrichter mit Kappe | Rectifier | 12 | 90047114 | 2 | Sicherungsring | Retaining ring |
| 4 | Z131A-41A.05 | 1 | Befestigungswinkel | Mounting bracket | 13 | Z133A-41A.01 | 1 | Zugstange | Link |
| 5 | 900912152 | 4 | Zylinderschraube | Socket head screw | 14 | Z133A-41A.02 | 1 | Bolzen | Clevis pin |
| 6 | 906912253 | 2 | Zylinderschraube | Socket head screw | 16 | Z131A-41A.07 | 1 | Abdeckung mit Schutzhülse | Cover |
| 7 | 90148122 | 2 | Spannhülse | Tension pin | 17 | 900912152 | 4 | Zylinderschraube | Socket head screw |
| 8 | Z133A-45.08 | 1 | Druckfeder | Spring | 18 | 810100003 | 1 | Faltenbalg | Rubber boot |
| 9 | Z133A-41A.04 | 1 | Federteller | Cap | 19 | 90093611 | 1 | Sechskantmutter | Hex. nut |
| 10 | Z131A-41A.04 | 1 | Böckchen | Clevis | 20 | 90012524 | 1 | Scheibe | Washer |



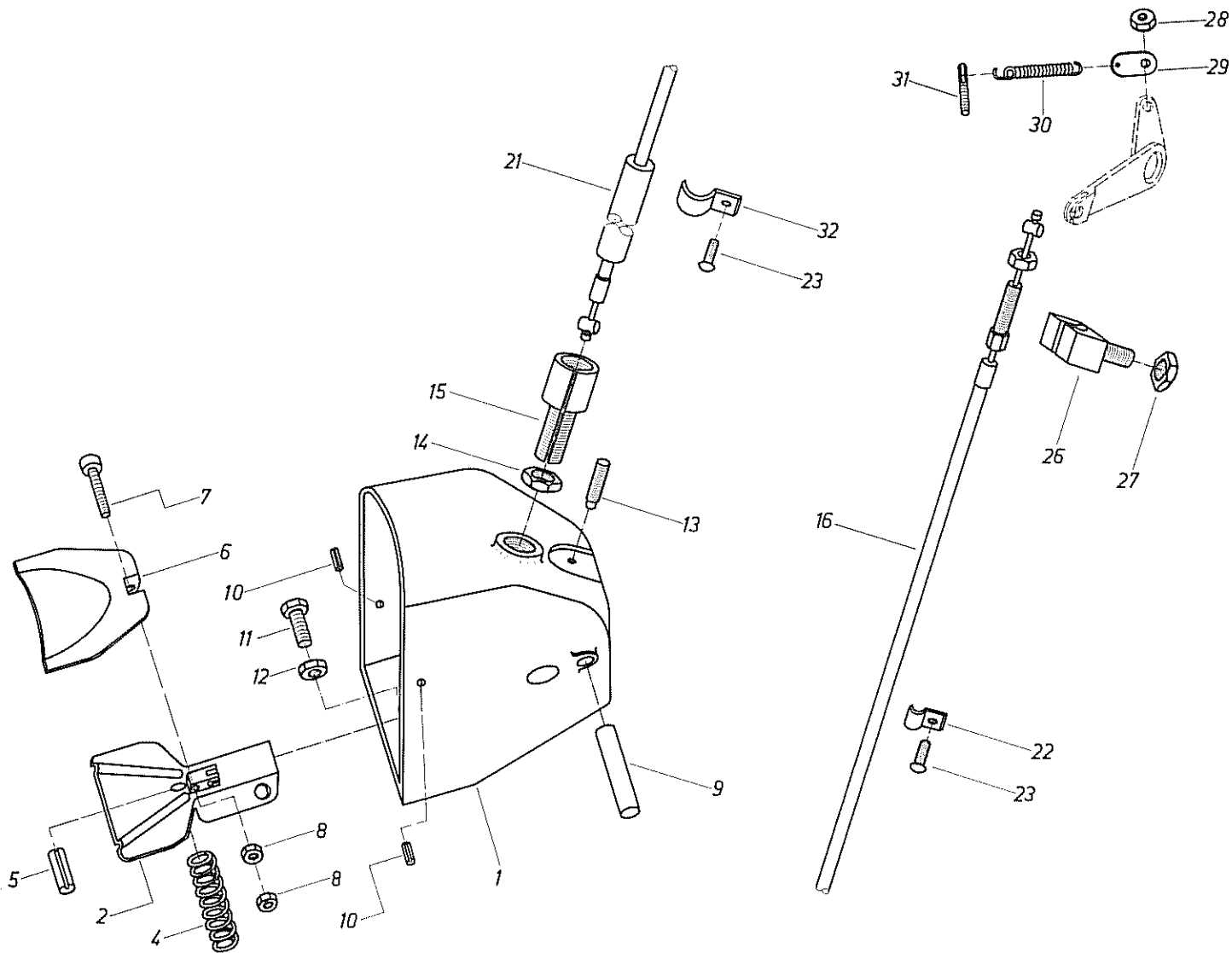
| Pos. Item | Artikel-Nr. Article-No. | Stk./ Masch. Quantity required | Benennung | Nomenclature | Pos. Item | Artikel-Nr. Article-No. | Stk./ Masch. Quantity required | Benennung | Nomenclature |
|-----------|-------------------------|--------------------------------|-------------------------|-------------------|-----------|-------------------------|--------------------------------|----------------|----------------|
| 1 | 810100001 | 1 | Hubmagnet | Solenoid | 10 | Z131A-41A.04 | 1 | Böckchen | Clevis |
| 2 | 810100002 | 3 | Gleichrichter mit Kappe | Rectifier | 11 | Z131A-41A.03 | 1 | Bolzen | Clevis pin |
| 4 | Z131A-41A.05 | 1 | Befestigungswinkel | Mounting bracket | 12 | 90047114 | 2 | Sicherungsring | Retaining ring |
| 5 | 900912152 | 4 | Zylinderschraube | Socket head screw | 13 | Z131A-42A.01 | 1 | Zugstange | Link |
| 6 | 900912253 | 2 | Zylinderschraube | Socket head screw | 14 | Z133A-41A.02 | 1 | Bolzen | Clevis pin |
| 7 | 90148122 | 2 | Spannhülse | Tension pin | 16 | 810100003 | 1 | Faltenbalg | Rubber boot |
| 8 | Z133A-45.08 | 1 | Druckfeder | Spring | 17 | 90093511 | 1 | Schskanmutter | Hex. nut |
| 9 | Z133A-41A.04 | 1 | Federteller | Cap | 18 | 90012524 | 1 | Scheibe | Washer |



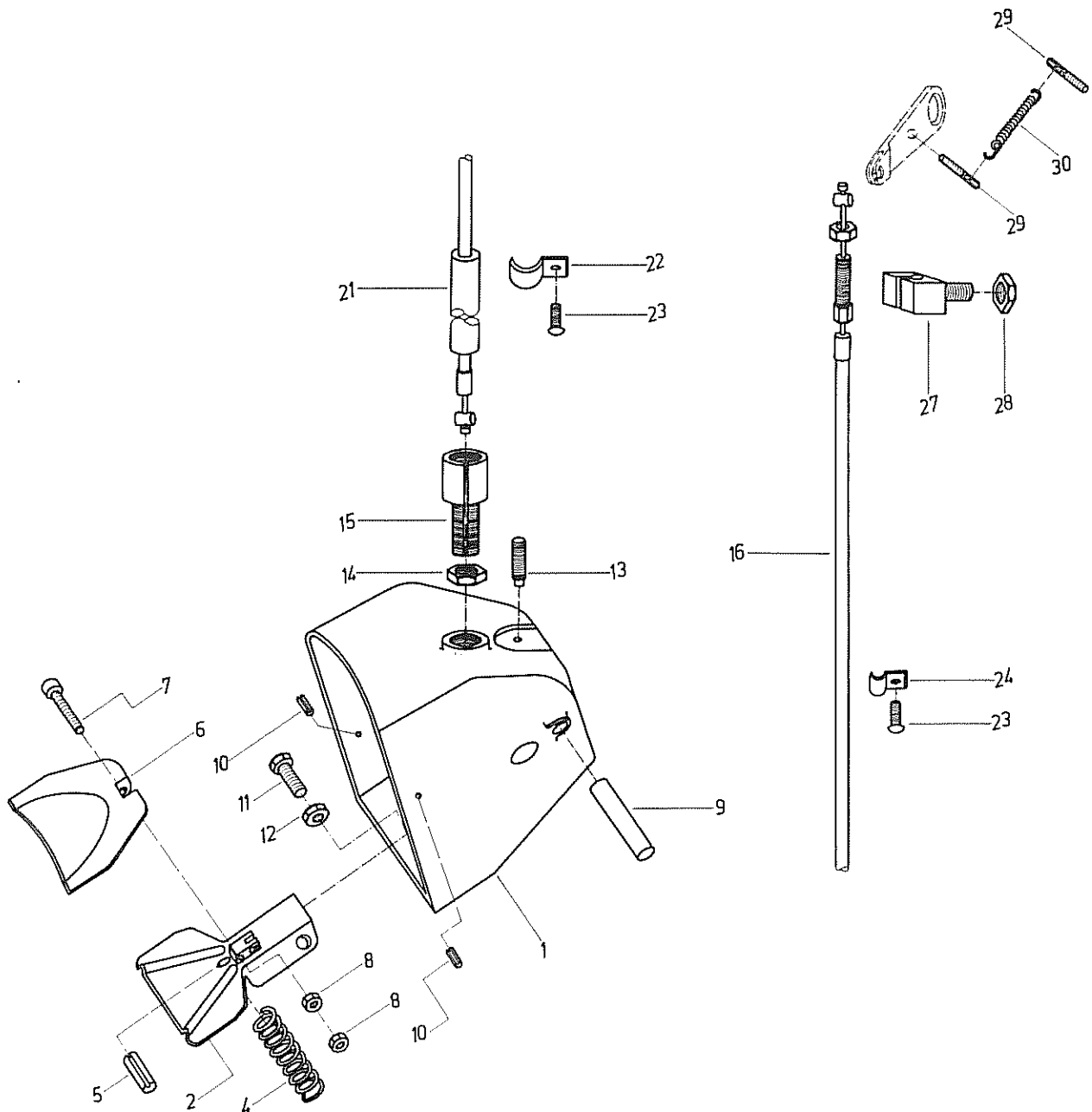
| Pos. Item | Artikel-Nr. Article-No. | Stk./ Masch. Quantity required | Benennung | Nomenclature | Pos. Item | Artikel-Nr. Article-No. | Stk./ Masch. Quantity required | Benennung | Nomenclature |
|-----------|-------------------------|--------------------------------|-------------------------|-------------------|-----------|-------------------------|--------------------------------|-----------------|----------------|
| 1 | 810100001 | 1 | Hubmagnet | Solenoid | 10 | Z131A-41A.04 | 1 | Böckchen | Clevis |
| 2 | 810100002 | 3 | Gleichrichter mit Kappe | Rectifier | 11 | Z131A-41A.03 | 1 | Bolzen | Clevis pin |
| 4 | Z131A-41A.05 | 1 | Befestigungswinkel | Mounting bracket | 12 | 90047114 | 2 | Sicherungsring | Retaining ring |
| 5 | 900912152 | 4 | Zylinderschraube | Socket head screw | 13 | Z131A-43A.01 | 1 | Zugstange | Link |
| 6 | 906912253 | 2 | Zylinderschraube | Socket head screw | 14 | Z133A-41A.02 | 1 | Bolzen | Clevis pin |
| 7 | 90148122 | 2 | Spannhülse | Tension pin | 18 | 810100003 | 1 | Faltenbalg | Rubber boot |
| 8 | Z133A-45.08 | 1 | Druckfeder | Spring | 19 | 98083611 | 1 | Sechskantmutter | Hex. nut |
| 9 | Z133A-41A.04 | 1 | Federteller | Cap | 20 | 90012524 | 1 | Scheibe | Washer |



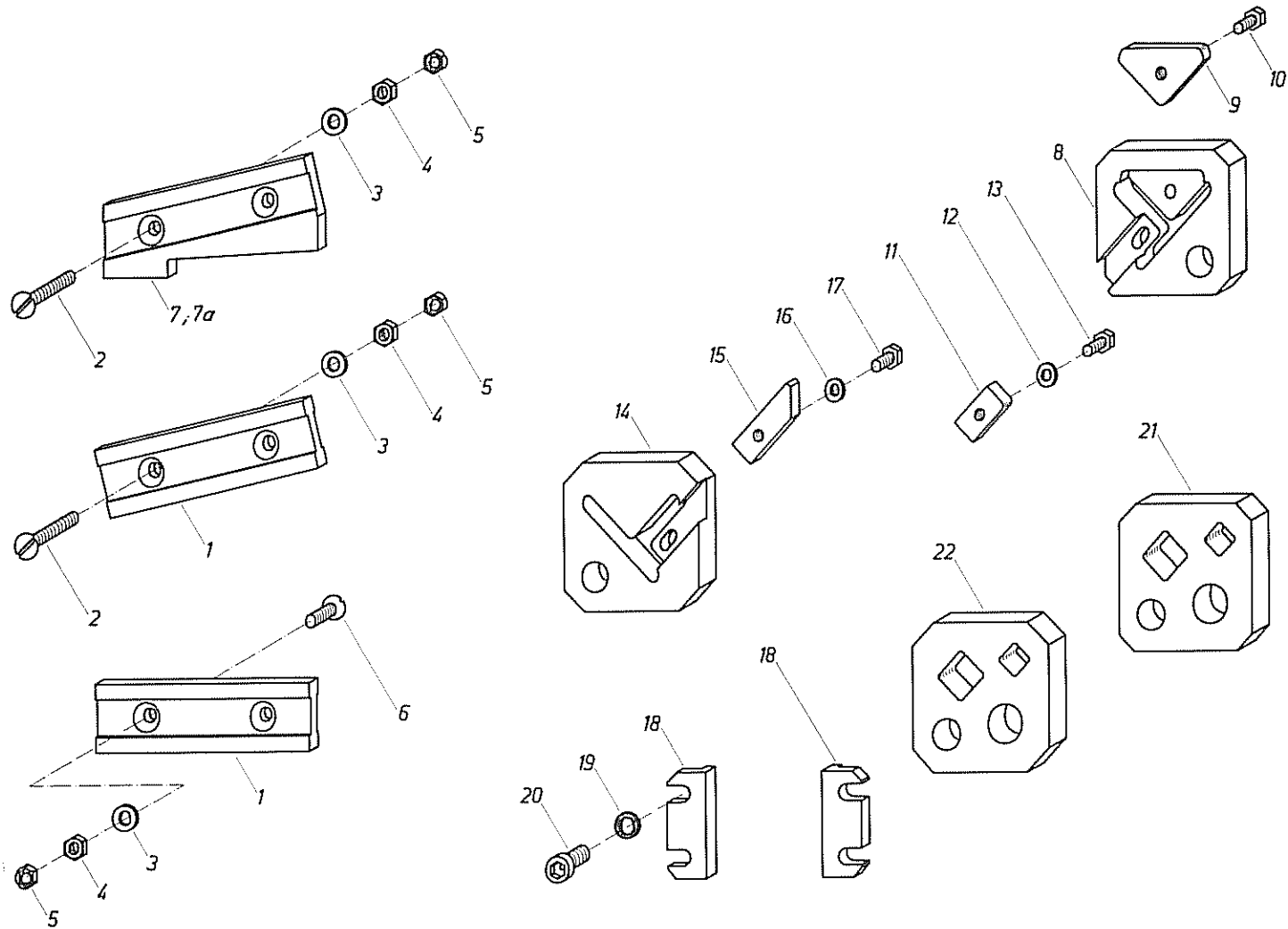
| Pos. Item | Artikel-Nr. Article-No. | Stück./ Mensch. Quantity required | Benennung | Nomenclature | Pos. Item | Artikel-Nr. Article-No. | Stück./ Mensch. Quantity required | Benennung | Nomenclature |
|--------------|----------------------------|--|----------------------|--------------------|--------------|----------------------------|--|---------------------|---------------------------------|
| 1 | Z133-44.01 | 1 | Gehäuse für Fußtritt | Foot pedal housing | 14 | 90093625 | 1 | Sechskantmutter | Hex. nut |
| 2 | Z133-44.02 | 1 | Fußhebel | Pedal | 15 | Z133-44.10 | 1 | Schlauchbefestigung | Pipe clip |
| 4 | Z133-44.04 | 1 | Druckfeder | Spring | 16 | Z133-44.08 | 1 | Bowdenzug kpl. | Bowden cable assembly compl. |
| 5 | 90148156 | 1 | Spannhülse | Tension pin | 21 | 810600016 | 1,5 m | Bardex-Schlauch | Bowden cable cover |
| 6 | Z133A-45A.04 | 1 | Schutzklappe | Cover | 22 | 97257171 | 1 | Befestigungsschelle | Clip |
| 7 | 900912209 | 1 | Zylinderschraube | Socket head screw | 23 | 90008431 | 3 | Zylinderschraube | Slotted head screw |
| 8 | 90093421 | 2 | Sechskantmutter | Hex. nut | 24 | 97257131 | 1 | Befestigungsschelle | Clip |
| 9 | 90000758 | 1 | Zylinderstift | Dowel pin | 27 | Z131-41.10 | 1 | Anschlagböckchen | Bowden saddle |
| 10 | 90148122 | 2 | Spannhülse | Tension pin | 30 | Z131-41.08 | 2 | Gewindestift | Slotted set screw |
| 11 | 900933259 | 1 | Sechskantschraube | Hex. cap screw | 31 | Z131-42.08 | 1 | Zugfeder | Spring |
| 12 | 90093425 | 1 | Sechskantmutter | Hex. nut | | | | | |
| 13 | 90041758 | 1 | Gewindestift | Slotted set screw | | | | | |



| Pos. Item | Artikel-Nr. Article-No. | Stück./ Masch. Quantity required | Benennung | Nomenclature | Pos. Item | Artikel-Nr. Article-No. | Stück./ Masch. Quantity required | Benennung | Nomenclature |
|-----------|-------------------------|---|----------------------|--------------------|-----------|-------------------------|---|---------------------|------------------------------|
| 1 | Z133-44.01 | 1 | Gehäuse für Fußtritt | Foot pedal housing | 14 | 90093625 | 1 | Sechskantmutter | Hex. nut |
| 2 | Z133-44.02 | 1 | Fußhebel | Pedal | 15 | Z133-44.10 | 1 | Schlauchbefestigung | Pipe clip |
| 4 | Z133-44.04 | 1 | Druckfeder | Spring | 16 | Z135-44.02 | 1 | Bowdenzug kpl. | Bowden cable assembly compl. |
| 5 | 90148156 | 1 | Spannhülse | Tension pin | 21 | 010500016 | 1,86 m | Bardex-Schlauch | Bowden cable cover |
| 6 | Z133A-45A.04 | 1 | Schutzklappe | Cover | 22 | 97257131 | 2 | Befestigungsschelle | Clip |
| 7 | 900912209 | 1 | Zylinderschraube | Socket head screw | 23 | 90008431 | 2 | Zylinderschraube | Slotted head screw |
| 8 | 90003421 | 2 | Sechskantmutter | Hex. nut | 26 | Z131-41.10 | 1 | Anschlagböckchen | Bowden saddle |
| 9 | 90000758 | 1 | Zylinderstift | Dowel pin | 28 | Z131A-46A.03 | 1 | Sechskantmutter | Hex. nut |
| 10 | 90148122 | 2 | Spannhülse | Tension pin | 29 | Z131A-46A.02 | 1 | Blech für Zugfeder | Connecting plate |
| 11 | 900933259 | 1 | Sechskantschraube | Hex. cap screw | 30 | Z131-42.08 | 1 | Zugfeder | Spring |
| 12 | 90093425 | 1 | Sechskantmutter | Hex. nut | 31 | Z131A-46A.01 | 1 | Gewindestift | Slotted set screw |
| 13 | 90041758 | 1 | Gewindestift | Slotted set screw | | | | | |

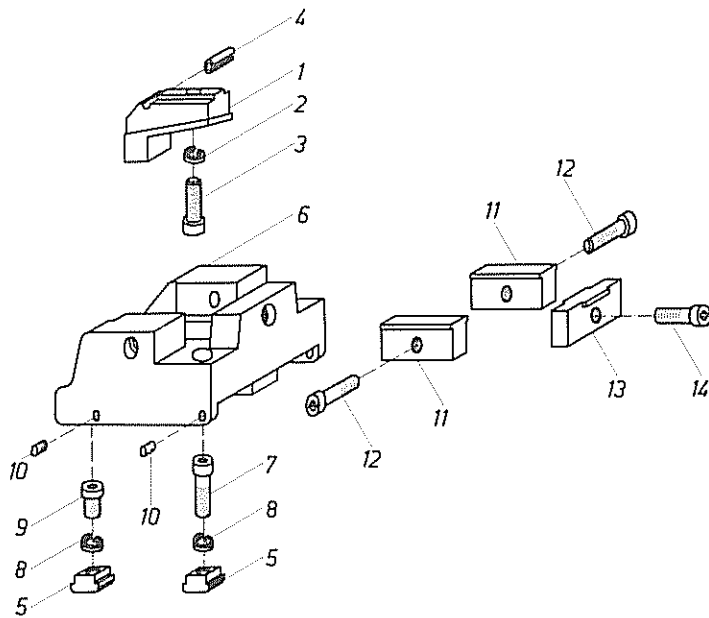


| Pos. Item | Artikel-Nr. Article-No. | Stück./ Masch. Quantity required | Benennung | Nomenclature | Pos. Item | Artikel-Nr. Article-No. | Stück./ Masch. Quantity required | Benennung | Nomenclature |
|-----------|-------------------------|---|----------------------|--------------------|-----------|-------------------------|---|---------------------|-----------------------------|
| 1 | Z133-44.01 | 1 | Gehäuse für Fußtritt | Foot pedal housing | 14 | 90093625 | 1 | Sechskantmutter | Hex. nut |
| 2 | Z133-44.02 | 1 | Fußhebel | Pedal | 15 | Z133-44.10 | 1 | Schlauchbefestigung | Pipe clip |
| 4 | Z133-44.04 | 1 | Druckfeder | Spring | 16 | Z131-44.02 | 1 | Bowdenzug kpl. | Bowden cable assembly compl |
| 5 | 90148156 | 1 | Spannhülse | Tension pin | 21 | 810600016 | 0,85 | Bardex-Schlauch | Bowden cable cover |
| 6 | Z133A-45A.04 | 1 | Schutzklappe | Cover | | | m | | |
| 7 | 900912209 | 1 | Zylinderschraube | Socket head screw | 22 | 97257171 | 1 | Befestigungsschelle | Clip |
| 8 | 90093421 | 2 | Sechskantmutter | Hex. nut | 23 | 90008431 | 7 | Zylinderschraube | Slotted head screw |
| 9 | 90000758 | 1 | Zylinderstift | Dowel pin | 24 | 97257131 | 5 | Befestigungsschelle | Clip |
| 10 | 90148122 | 2 | Spannhülse | Tension pin | 27 | Z131-41.10 | 1 | Anschlagböckchen | Bowden saddle |
| 11 | 900933259 | 1 | Sechskantschraube | Hex. cap screw | 29 | Z131-41.08 | 2 | Gewindestift | Slotted set screw |
| 12 | 90093425 | 1 | Sechskantmutter | Hex. nut | 30 | Z131-42.08 | 1 | Zugfeder | Spring |
| 13 | 90041758 | 1 | Gewindestift | Slotted set screw | | | | | |

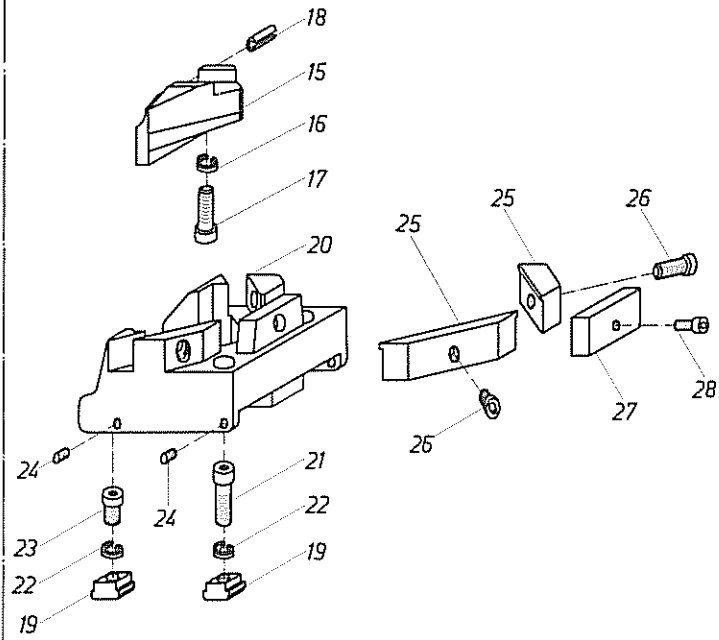


| Pos. Item | Artikel-Nr. Article-No. | Stück./ Masch. Quantity required | Benennung | Nomenclature | Pos. Item | Artikel-Nr. Article-No. | Stück./ Masch. Quantity required | Benennung | Nomenclature |
|-----------|-------------------------|----------------------------------|-----------------------------------|---------------------------------|-----------|-------------------------|----------------------------------|-------------------------|-----------------------------------|
| 1 | M50401 | 2 | Blechmesser | Plate shear blade | 10 | 900933307 | 1 | Sechskantschraube | Hex. cap screw |
| 2 | 90096368 | 2 | Senkschraube | Countersunk screw | 11 | Z139-50.06 | 1 | Schiebemeser Nr. 2 | Sliding blade No. 2 |
| 3 | 90012531 | 4 | Scheibe | Washer | 12 | 90012527 | 1 | Scheibe | Washer |
| 4 | 90093621 | 4 | Sechskantmutter | Hex. nut | 13 | 900933307 | 1 | Sechskantschraube | Hex. cap screw |
| 5 | 90796735 | 4 | Sicherungsmutter | Lock nut | 14 | Z139-50.07 | 1 | Profilmesser fest | Knife block bar shear, stationary |
| 6 | 90096366 | 2 | Senkschraube | Countersunk screw | 15 | Z139-50.03 | 1 | Schiebemeser Nr. 1 | Sliding blade No. 1 |
| 7 | M50445 | 1 | Flachstahl- Obermesser 2,5° | Non deform blade 2,5° standard | 16 | 90012527 | 1 | Scheibe | Washer |
| 7a | M50444 | 1 | Flachstahl- Obermesser 5° | Non deform blade 5° optional | 17 | 900933307 | 1 | Sechskantschraube | Hex. cap screw |
| | Z139-50.00 | 1 | Profilm. z. Stabstahlsch. kpl. | Section shear, bar shear compl. | 18 | Z131-52.03 | 2 | Spannlasche | Blade clamp |
| 8 | Z139-50.08 | 1 | Profilmesser beweglich | Knife block bar shear, movable | 19 | 810600017 | 4 | Sicherungsscheibe | Serrated washer |
| 9 | Z139-50.05 | 1 | Einsatzmesser | Triangular blade | 20 | 906912404 | 4 | Zylinderschraube | Socket head screw |
| | | | | | 21 | Z131A-52.00 | 1 | Stabstahlmesser kpl. | Bar shear blade compl. |
| | | | | | 22 | Z131A-52.02 | 1 | Stabstahlmesser bewegl. | Bar shear blade, movable |
| | | | | | | Z131A-52.01 | 1 | Stabstahlmesser fest | Bar shear blade, stationary |

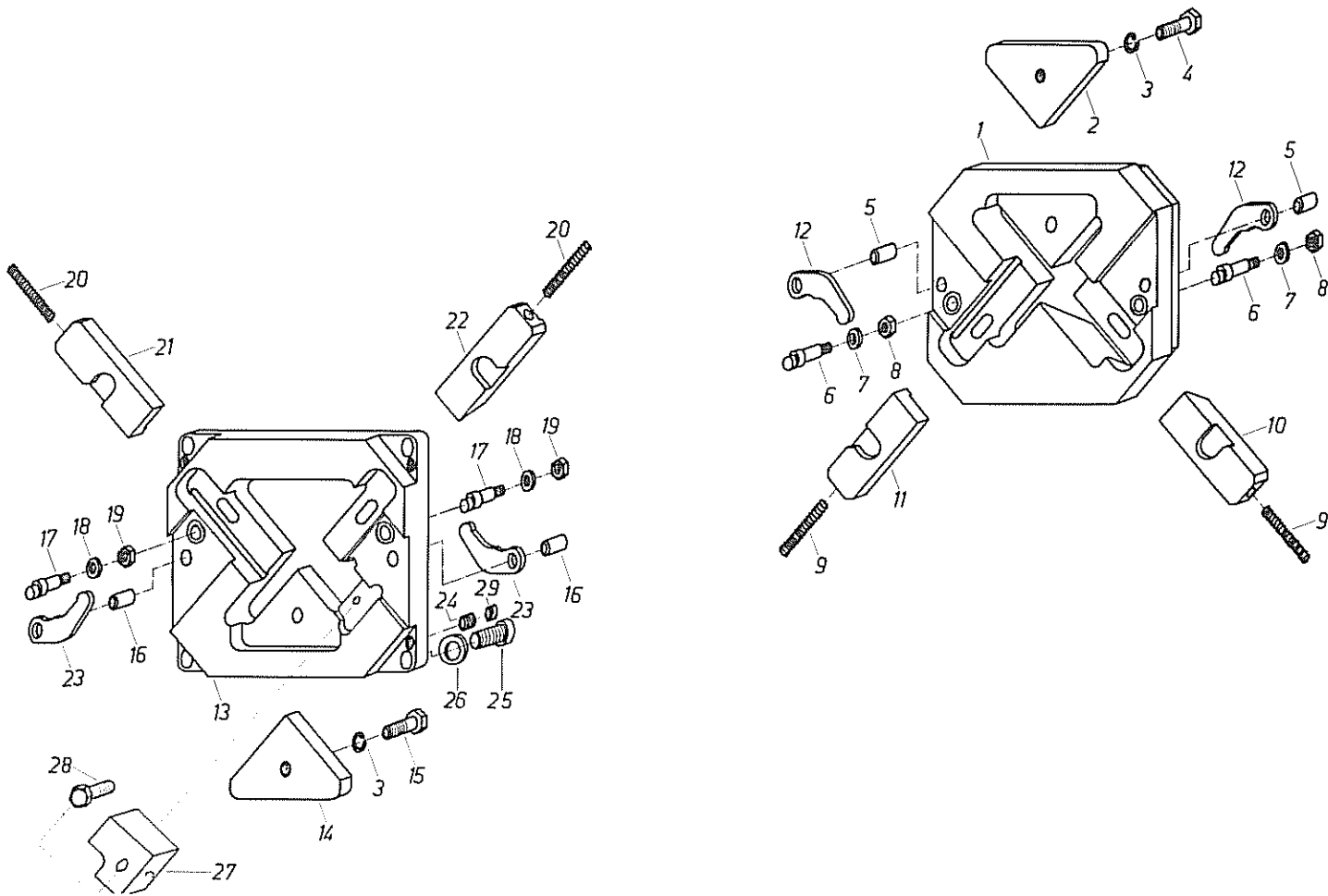
53



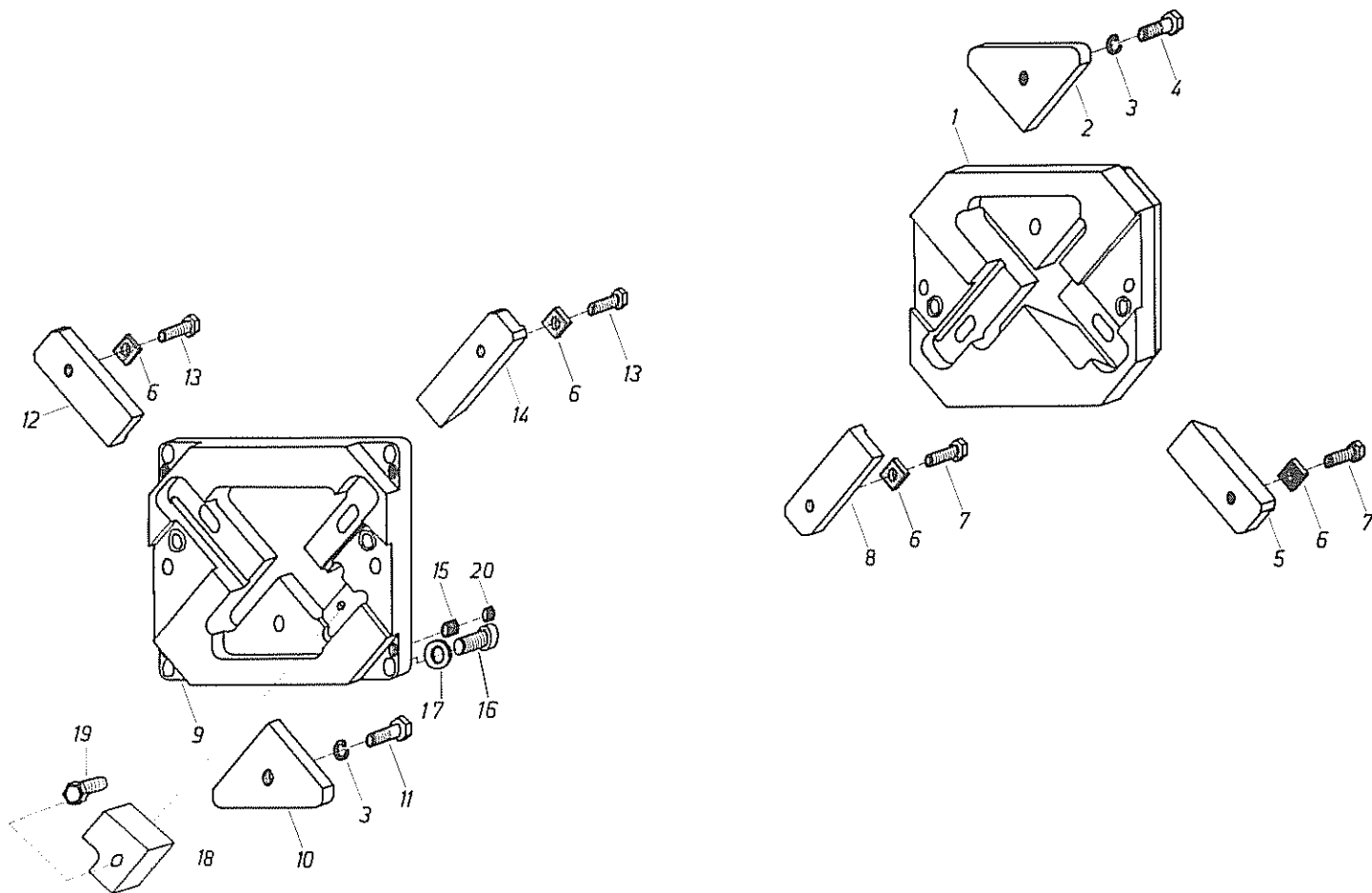
54



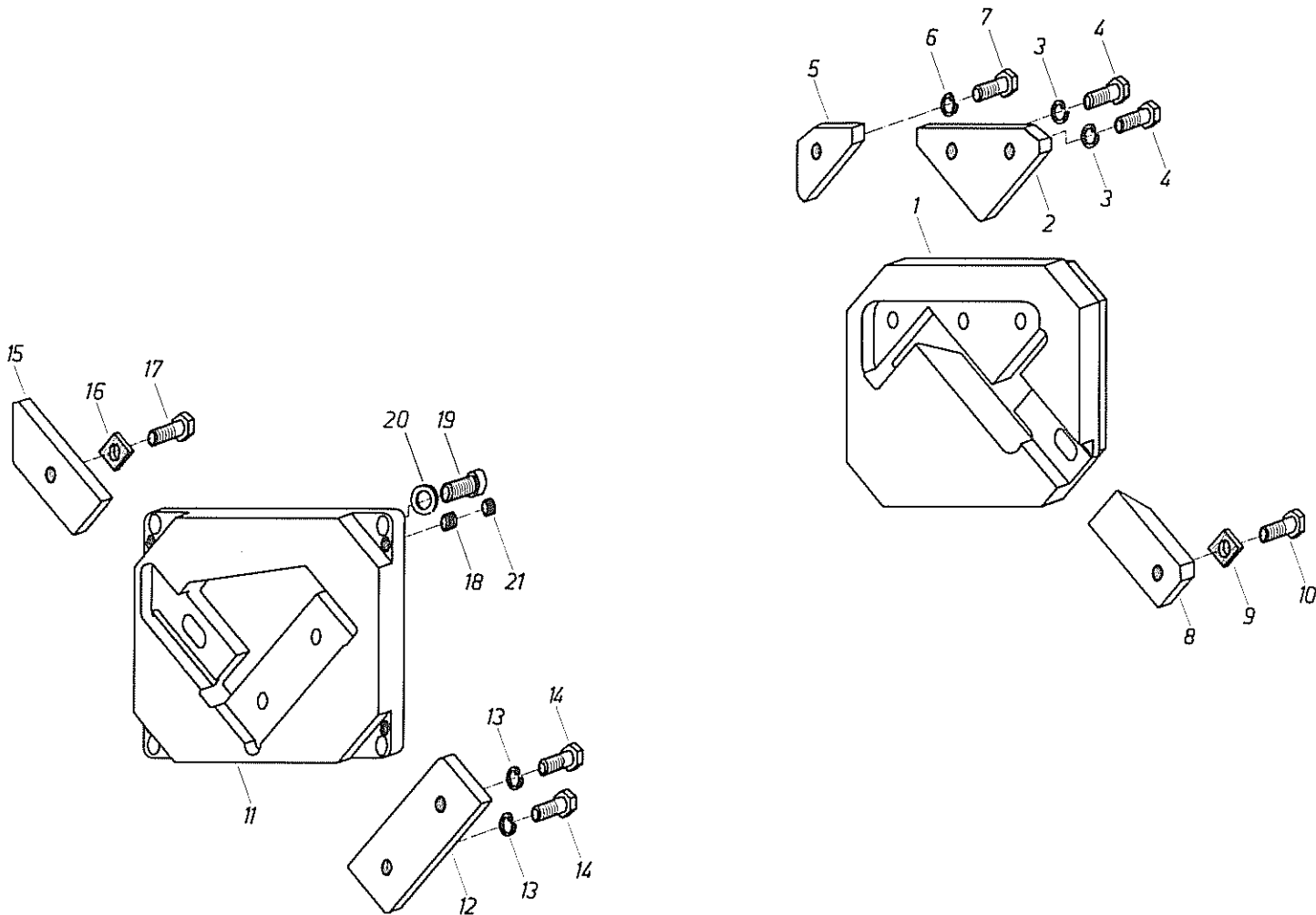
| Pos. Item | Artikel-Nr. Article-No. | Stck./ Masch. Quantity required | Benennung | Nomenclature | Pos. Item | Artikel-Nr. Article-No. | Stck./ Masch. Quantity required | Benennung | Nomenclature |
|-----------|-------------------------|---------------------------------|-----------------------------|---------------------------------|-----------|-------------------------|---------------------------------|----------------------------|-------------------------------------|
| | Z131A-53.00 | 1 | Rechteck-Klinkwerkzeug kpl. | Coper-notcher assembly compl. | | Z131A-54.00 | 1 | Dreieck-Klinkwerkzeug kpl. | Triangular notching assembly compl. |
| 1 | Z131-53.04 | 1 | Obermesser | Rectangular coping blade, top | 15 | Z131-54.04 | 1 | Obermesser | Triangular notching blade, top |
| 2 | 90798021 | 1 | Federring | Lock washer | 16 | 90798021 | 1 | Federring | Lock washer |
| 3 | 900912353 | 1 | Zylinderschraube | Socket head screw | 17 | 900912353 | 1 | Zylinderschraube | Socket head screw |
| 4 | 90148157 | 1 | Spannhülse | Tension pin | 18 | 90148157 | 1 | Spannhülse | Tension pin |
| 5 | 90050835 | 4 | Nutenstein | Tee nut | 19 | 90050835 | 4 | Nutenstein | Tee nut |
| 6 | Z131A-53.01 | 1 | Ausklinksattel | Rectangular coping saddle | 20 | Z131A-54.01 | 1 | Ausklinksattel | Triangular notching saddle |
| 7 | 900912354 | 3 | Zylinderschraube | Socket head screw | 21 | 900912354 | 3 | Zylinderschraube | Socket head screw |
| 8 | 90798021 | 4 | Federring | Lock washer | 22 | 90798021 | 4 | Federring | Lock washer |
| 9 | 906912352 | 1 | Zylinderschraube | Socket head screw | 23 | 906912352 | 1 | Zylinderschraube | Socket head screw |
| 10 | 90091343 | 4 | Gewindestift | Socket set screw | 24 | 90091343 | 4 | Gewindestift | Socket set screw |
| 11 | Z131-53.02 | 2 | Untermesser seitlich | Rectangular coping blade, side | 25 | Z131-54.02 | 2 | Untermesser seitlich | Triangular notching blade, side |
| 12 | 900912357 | 2 | Zylinderschraube | Socket head screw | 26 | 900912354 | 2 | Zylinderschraube | Socket head screw |
| 13 | Z131-53.03 | 1 | Untermesser vorn | Rectangular coping blade, front | 27 | Z131-54.03 | 1 | Untermesser vorn | Triangular notching blade, front |
| 14 | 900912354 | 1 | Zylinderschraube | Socket head screw | 28 | 900912252 | 1 | Zylinderschraube | Socket head screw |



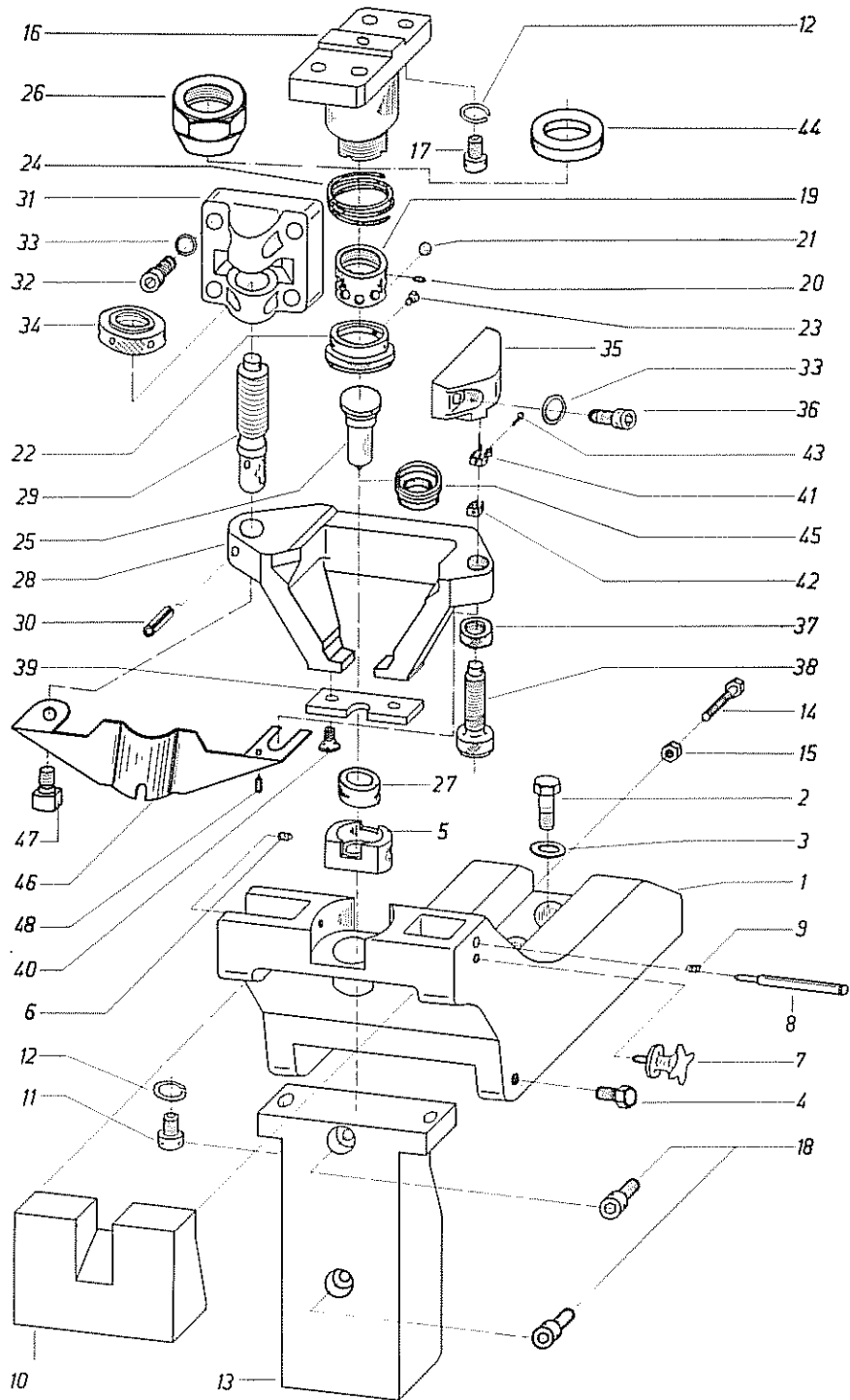
| Pos. Item | Artikel-Nr. Article-No. | Stück/Masch. Quantity required | Benennung | Nomenclature | Pos. Item | Artikel-Nr. Article-No. | Stück/Masch. Quantity required | Benennung | Nomenclature |
|-----------|-------------------------|--------------------------------|------------------------|---------------------------------|-----------|-------------------------|--------------------------------|------------------------------|------------------------------------|
| 1 | Z131A-55.00 | 1 | Profilmesser PMA kpl. | Section shear, PMA compl. | 16 | Z131-55.07 | 2 | Zylinderstift | Dowel pin |
| 2 | Z131A-55.02 | 1 | Profilmesser beweglich | Section knife block, movable | 17 | Z131-55.08 | 2 | Einstelllexzenter | Adjusting eccentric |
| 3 | Z131A-55.03 | 1 | Einsatzmesser Nr. 2 | Triangular blade No. 2 | 18 | 90012527 | 2 | Scheibe | Washer |
| 4 | 90012721 | 3 | Federring | Lock washer | 19 | 90093431 | 2 | Sechskantmutter | Hex. nut |
| 5 | 900933360 | 1 | Sechskantschraube | Hex. cap screw | 20 | Z131-55.14 | 2 | Druckfeder | Spring |
| 6 | Z131-55.07 | 2 | Zylinderstift | Dowel pin | 21 | Z131-55.03 | 1 | Schiebemesser Nr. 1 | Sliding blade No. 1 |
| 7 | Z131-55.12 | 2 | Einstelllexzenter | Adjusting eccentric | 22 | Z131-55.04 | 1 | Schiebemesser Nr. 2 | Sliding blade No. 2 |
| 8 | 90012527 | 2 | Scheibe | Washer | 23 | Z131-55.06 | 2 | Schiebehebel | Travel lever |
| 9 | 90093431 | 2 | Sechskantmutter | Hex. nut | 24 | Z131-55.13 | 4 | Gewindestift | Slotted set screw |
| 10 | Z131-55.14 | 2 | Druckfeder | Spring | 25 | 906912404 | 4 | Zylinderschraube | Socket head screw |
| 11 | Z131-55.10 | 1 | Schiebemesser Nr. 3 | Sliding blade No. 3 | 26 | 131A-55.04 | 4 | Tellerfeder | Spring washer |
| 12 | Z131-55.11 | 1 | Schiebemesser Nr. 4 | Sliding blade No. 4 | 27 | Z131A-55.05 | 1 | Einsatz f. Profilmesser fest | Inst. f. sectn. knife block, stat. |
| 13 | Z131-55.06 | 2 | Schiebehebel | Travel lever | 28 | 900933360 | 1 | Sechskantschraube | Hex. cap screw |
| 14 | Z131A-55.01 | 1 | Profilmesser fest | Section knife block, stationary | 29 | Z131A-55.06 | 4 | Konterkappe | Locking screw |
| 15 | Z131-55.02 | 1 | Einsatzmesser Nr. 1 | Triangular blade No. 1 | | | | | |
| | 900933360 | 1 | Sechskantschraube | Hex. cap screw | | | | | |



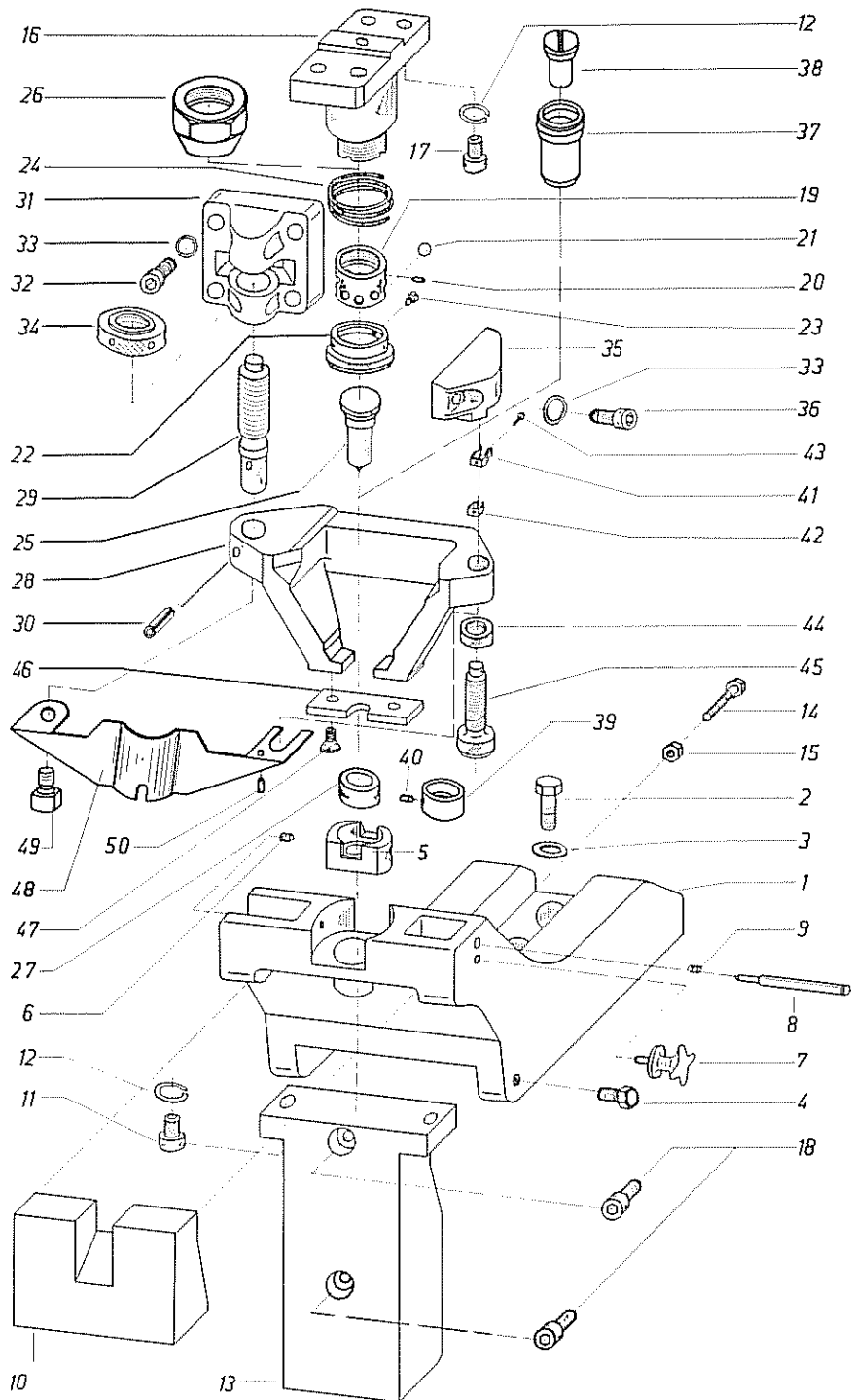
| Pos. Item | Artikel-Nr. Article-No. | Stück./ Masch. Quantity required | Benennung | Nomenclature | Pos. Item | Artikel-Nr. Article-No. | Stück./ Masch. Quantity required | Benennung | Nomenclature |
|-----------|-------------------------|----------------------------------|------------------------|---------------------------------|-----------|-------------------------|----------------------------------|-------------------------------|------------------------------------|
| 1 | Z131A-56.00 | 1 | Profilmesser PMB kpl. | Section shear, PMB compl. | 11 | 900933360 | 1 | Sechskantschraube | Hex. cap screw |
| 2 | Z131A-55.02 | 1 | Profilmesser beweglich | Section knife block, movable | 12 | Z131-56.02 | 1 | Schiebemesser Nr. 1 | Sliding blade No. 1 |
| 3 | Z131A-55.03 | 1 | Einsatzmesser Nr. 2 | Triangular blade No. 2 | 13 | 900933311 | 2 | Sechskantschraube | Hex. cap screw |
| 4 | 90012721 | 3 | Federring | Lock washer | 14 | Z131-56.03 | 1 | Schiebemesser Nr. 2 | Sliding blade No. 2 |
| 5 | 900933360 | 1 | Sechskantschraube | Hex. cap screw | 15 | Z131-55.13 | 4 | Gewindestift | Slotted set screw |
| 6 | Z131-56.05 | 1 | Schiebemesser Nr. 3 | Sliding blade No. 3 | 16 | 906912404 | 4 | Zylinderschraube | Socket head screw |
| 7 | M51007-1 | 4 | Sicherungsscheibe | Serrated washer | 17 | Z131A-55.04 | 4 | Tellerfeder | Spring washer |
| 8 | 900933311 | 2 | Sechskantschraube | Hex. cap screw | 18 | Z131A-55.05 | 1 | Einsatz für Profilmesser fest | Inst. f. sectn. knife block, stat. |
| 9 | Z131-56.06 | 1 | Schiebemesser Nr. 4 | Sliding blade No. 4 | 19 | 900933360 | 1 | Sechskantschraube | Hex. cap screw |
| 10 | Z131A-55.01 | 1 | Profilmesser fest | Section knife block, stationary | 20 | Z131A-55.06 | 4 | Konterkappe | Locking screw |
| 11 | Z131-55.02 | 1 | Einsatzmesser Nr. 1 | Triangular blade No. 1 | | | | | |



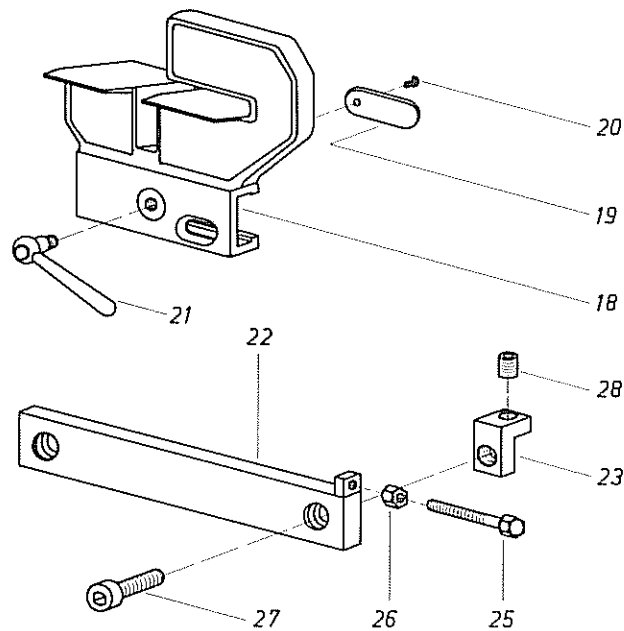
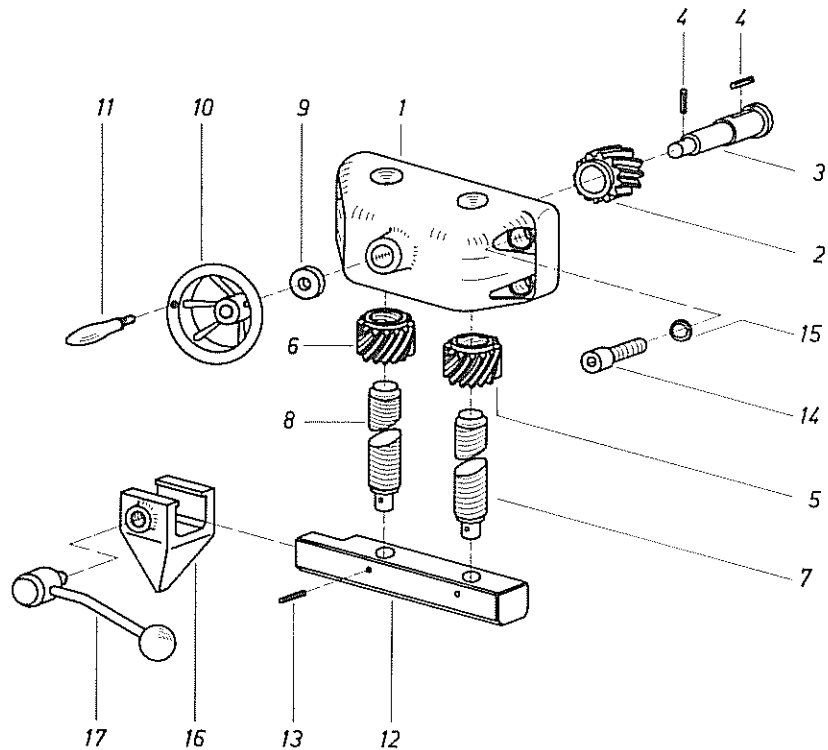
| Pos. Item | Artikel-Nr. Article-No. | Stück./ Mensch. Quantity required | Benennung | Nomenclature | Pos. Item | Artikel-Nr. Article-No. | Stück./ Mensch. Quantity required | Benennung | Nomenclature |
|-----------|-------------------------|--|------------------------|------------------------------|-----------|-------------------------|--|-------------------|---------------------------------|
| 1 | Z131A-57.00 | 1 | Profilmesser PMG kpl. | Section shear, PMG compl. | 11 | Z131A-57.01 | 1 | Profilmesser fest | Section knife block, stationary |
| 2 | Z131A-57.02 | 1 | Profilmesser beweglich | Section knife block, movable | 12 | Z131-57.02 | 1 | Einsatzmesser | Rectangular blade |
| 3 | 90012721 | 2 | Federring | Lock washer | 13 | 90012721 | 2 | Federring | Lock washer |
| 4 | 900933360 | 2 | Sechskantschraube | Hex. cap screw | 14 | 900933360 | 2 | Sechskantschraube | Hex. cap screw |
| 5 | Z131-57.06 | 1 | Einsatzmesser | Triangular blade, large | 15 | Z131-57.03 | 1 | Schiebemesser | Sliding blade |
| 6 | 90012721 | 1 | Federring | Lock washer | 16 | M51007-2 | 1 | Sicherungsscheibe | Serrated washer |
| 7 | 900933360 | 1 | Sechskantschraube | Hex. cap screw | 17 | 900933360 | 1 | Sechskantschraube | Hex. cap screw |
| 8 | Z131-57.07 | 1 | Schiebemesser | Sliding blade | 18 | Z131-55.13 | 4 | Gewindestift | Slotted set screw |
| 9 | M51007-2 | 1 | Sicherungsscheibe | Serrated washer | 19 | 906912404 | 4 | Zylinderschraube | Socket head screw |
| 10 | 900933360 | 1 | Sechskantschraube | Hex. cap screw | 20 | Z131A-55.04 | 4 | Tellerfeder | Spring washer |
| | | | | | 21 | Z131A-55.06 | 4 | Konterkappe | Locking screw |



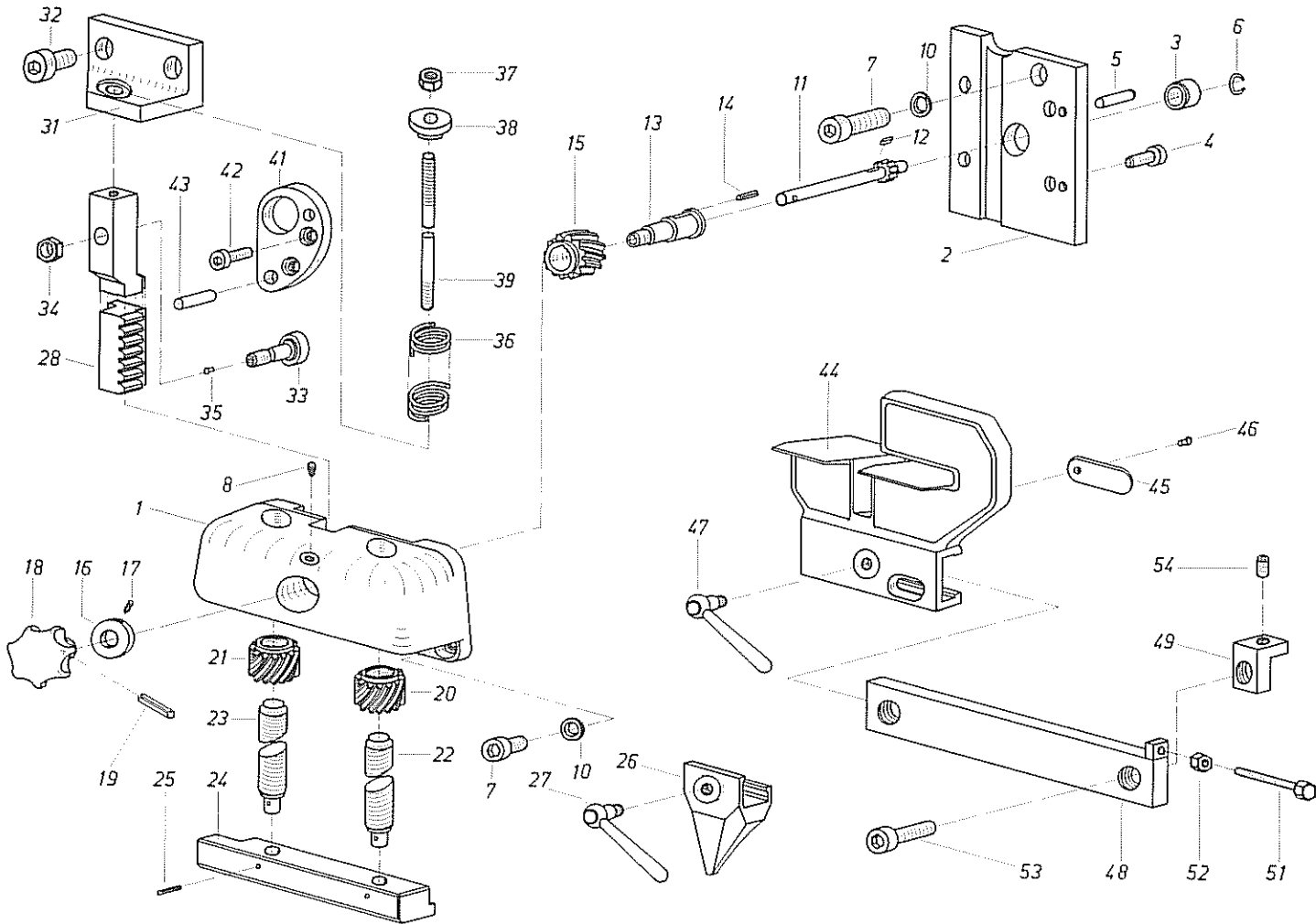
| Pos. Item | Artikel-Nr. Article-No. | Stck./ Masch. Quantity required | Benennung | Nomenclature | Pos. Item | Artikel-Nr. Article-No. | Stck./ Masch. Quantity required | Benennung | Nomenclature |
|-----------|-------------------------|---------------------------------|---------------------|-----------------------------|-----------|-------------------------|---------------------------------|----------------------|------------------------------|
| 1 | ZK11-470.01 | 1 | Stanzsattel | Die saddle | 26 | M50535-1 | 1 | Oberwurfmutter | Coupling nut |
| 2 | 900933557 | 2 | Sechskantschraube | Hex. cap screw | 27 | M50660-1- | 1 | Rundmatrize | Round die |
| 3 | 90012557 | 2 | Scheibe | Washer | 28 | Z131A-65.01 | 1 | Abstreifer | Stripper |
| 4 | 900933410 | 2 | Sechskantschraube | Hex. cap screw | 29 | Z131A-65.03 | 1 | Abstreiferspindel | Stripper spindle |
| 7 | Z135A-59.03 | 1 | Spanngriff | Star knob | 30 | 90148145 | 1 | Spannhülse | Tension pin |
| 8 | Z131A-59.02 | 1 | Zentrierstift | Pin | 31 | Z131-65.02 | 1 | Böckchen für Handrad | Stripper spindle bracket |
| 9 | Z135A-59.05 | 1 | Druckfeder | Spring | 32 | 907984352IP | 4 | Zylinderschraube | Socket head screw, special |
| 10 | Z131A-59.03 | 1 | Sattelunterstützung | Intermediate saddle support | 33 | 810600003 | 6 | DUBO-Sicherung | Nylon washer |
| 11 | 900912354 | 2 | Zylinderschraube | Socket head screw | 34 | Z131-65.03 | 1 | Handrad | Adjusting nut |
| 12 | 90798021 | 6 | Federring | Lock washer | 35 | Z131-65.15 | 1 | Abstützböckchen | Stripper lock bracket |
| 13 | Z131A-59.04 | 1 | Satteluntersatz | Lower saddle support | 36 | 907984352 IP | 2 | Zylinderschraube | Socket head screw, special |
| 14 | 900933417 | 2 | Sechskantschraube | Hex. cap screw | 37 | Z135-65.08 | 1 | Rändelmutter | Knurled lock nut |
| 15 | 90093625 | 2 | Sechskantmutter | Hex. nut | 38 | Z131A-65.02 | 1 | Rändelschraube | Knurled stop adjusting screw |
| 16 | ZK11-470.02 | 1 | Stempelhalter | Punch holder | 39 | Z133A-65.03 | 1 | Abstreiferplatte | Stripper plate |
| 17 | 906912354 | 4 | Zylinderschraube | Socket head screw | 40 | 90096342 | 2 | Senkschraube | Countersunk screw |
| 18 | 900912454 | 2 | Zylinderschraube | Socket head screw | 41 | Z131-65.10 | 1 | Klemmfeder innen | Clamp, inner |
| 19 | ZK16-332.01 | 1 | Zentriererring | Centering ring | 42 | Z131-65.11 | 1 | Klemmfeder außen | Clamp, outer |
| 20 | 90091421 | 1 | Gewindestift | Socket set screw | 43 | 90096342 | 1 | Zylinderschraube | Slotted head screw |
| 21 | 90540140 | 8 | Kugel | Steel ball | 44 | ZK11-470.03 | 1 | Scheibe | Adapter ring |
| 22 | Z135A-59.10 | 1 | Außenring | Clamping ring | 46 | Z131A-100.01 | 1 | Schutzvorrichtung | Punch guard |
| 23 | Z135A-59.11 | 1 | Gewindestift | Slotted head set screw | 47 | Z131A-100.02 | 1 | Führungsschraube | Shoulder screw |
| 24 | Z135A-59.12 | 1 | Druckfeder | Spring | 48 | 90148104 | 1 | Spannhülse | Tension pin |
| 25 | M50534-1- | 1 | Stempel | Punch | | | | | |



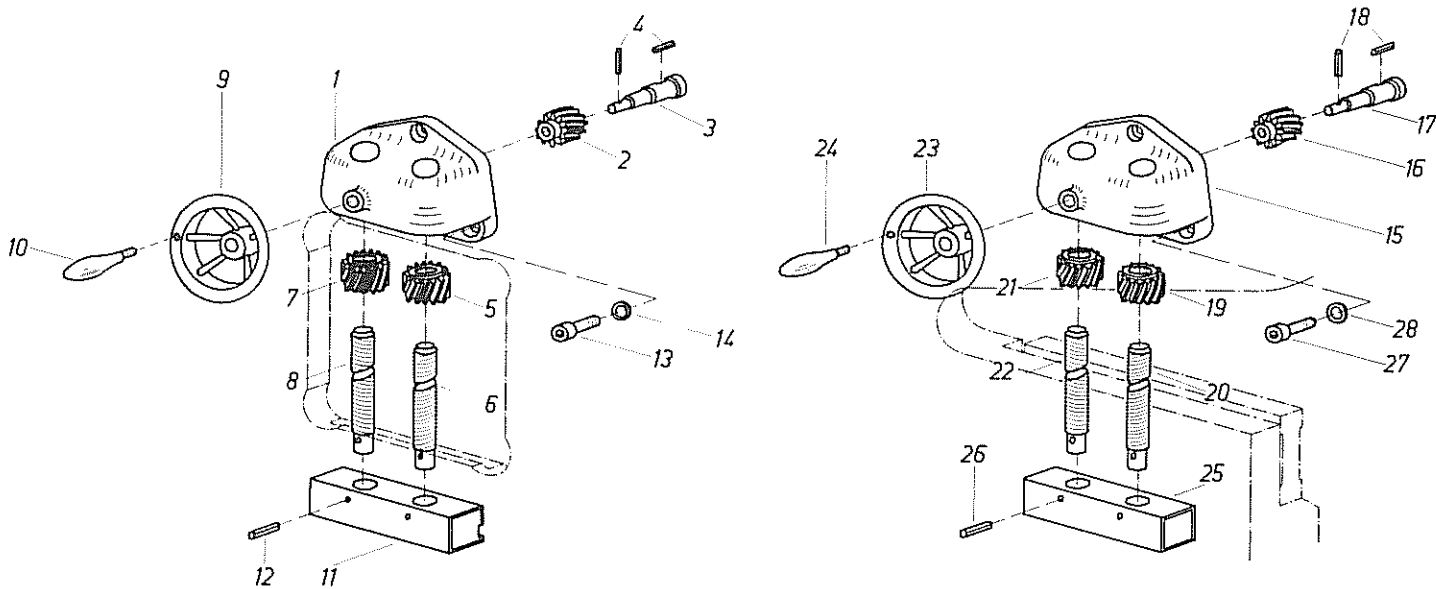
| Pos. Item | Artikel-Nr. Article-No. | Stück./ Masch. Quantity required | Benennung | Nomenclature | Pos. Item | Artikel-Nr. Article-No. | Stück./ Masch. Quantity required | Benennung | Nomenclature |
|-----------|-------------------------|----------------------------------|---------------------|-----------------------------|-----------|-------------------------|----------------------------------|----------------------|------------------------------|
| 1 | Z131A-59.01 | 1 | Stanzsattel | Die saddle | 27 | M50638-0 | 1 | Rundmatrize | Round die |
| 2 | 900933557 | 2 | Sechskantschraube | Hex. cap screw | 28 | Z131A-65.01 | 1 | Abstreifer | Stripper |
| 3 | 90012557 | 2 | Scheibe | Washer | 29 | Z131A-65.03 | 1 | Abstreiferspindel | Stripper spindle |
| 4 | 900933410 | 2 | Sechskantschraube | Hex. cap screw | 30 | 90148145 | 1 | Spannhülse | Tension pin |
| 7 | Z135A-59.03 | 1 | Spanngriff | Star knob | 31 | Z131-65.02 | 1 | Böckchen für Handrad | Stripper spindle bracket |
| 8 | Z131A-59.02 | 1 | Zentrierstift | Pin | 32 | 907984352IP | 4 | Zylinderschraube | Socket head screw, special |
| 9 | Z135A-59.05 | 1 | Druckfeder | Spring | 33 | 810600003 | 6 | DUBO-Sicherung | Nylon washer |
| 10 | Z131A-59.03 | 1 | Sattelunterstützung | Intermediate saddle support | 34 | Z131-65.03 | 1 | Handrad | Adjusting nut |
| 11 | 900912354 | 2 | Zylinderschraube | Socket head screw | 35 | Z131-65.15 | 1 | Abstützböckchen | Stripper lock bracket |
| 12 | 90798021 | 6 | Federring | Lock washer | 36 | 907984352IP | 2 | Zylinderschraube | Socket head screw, special |
| 13 | Z131A-59.04 | 1 | Satteluntersatz | Lower saddle support | 37 | M50531-3 | 1 | Abstreiferplatte | Stripper plate |
| 14 | 900933417 | 2 | Sechskantschraube | Hex. cap screw | 38 | M50529 | 1 | Stempel-Bellage | Shim |
| 15 | 90093625 | 2 | Sechskantmutter | Hex. nut | 39 | M50606-1 | 1 | Matrizenhalter | Dieholder |
| 16 | Z131A-59.05 | 1 | Stempelhalter | Punch holder | 40 | 90055362 | 1 | Gewindestift | Slotted set screw |
| 17 | 905912354 | 4 | Zylinderschraube | Socket head screw | 41 | Z131-65.10 | 1 | Klemmfeder innen | Clamp, inner |
| 18 | 900912454 | 2 | Zylinderschraube | Socket head screw | 42 | Z131-65.11 | 1 | Klemmfeder außen | Clamp, outer |
| 19 | Z135A-59.09 | 1 | Zentrierling | Centering ring | 43 | 90008421 | 1 | Zylinderschraube | Socket head screw |
| 20 | 90091421 | 1 | Gewindestift | Socket set screw | 44 | Z131-65.08 | 1 | Rändelmutter | Knurled lock nut |
| 21 | 90540135 | 10 | Kugel | Steel ball | 45 | Z131A-65.02 | 1 | Rändelschraube | Knurled stop adjusting screw |
| 22 | Z135A-59.10 | 1 | Außenring | Clamping ring | 46 | Z131A-65.03 | 1 | Abstreiferplatte | Stripper plate |
| 23 | Z135A-59.11 | 1 | Gewindestift | Slotted head set screw | 47 | 90096342 | 2 | Senkschraube | Countersunk screw |
| 24 | Z135A-59.12 | 1 | Druckfeder | Spring | 48 | Z131A-100.01 | 1 | Schutzvorrichtung | Punch guard |
| 25 | M50505-2 | 1 | Stempel | Punch | 49 | Z131A-100.02 | 1 | Führungsschraube | Shoulder screw |
| 26 | M50506-2 | 1 | Überwurfmutter | Coupling nut | 50 | 90148104 | 1 | Spannhülse | Tension pin |



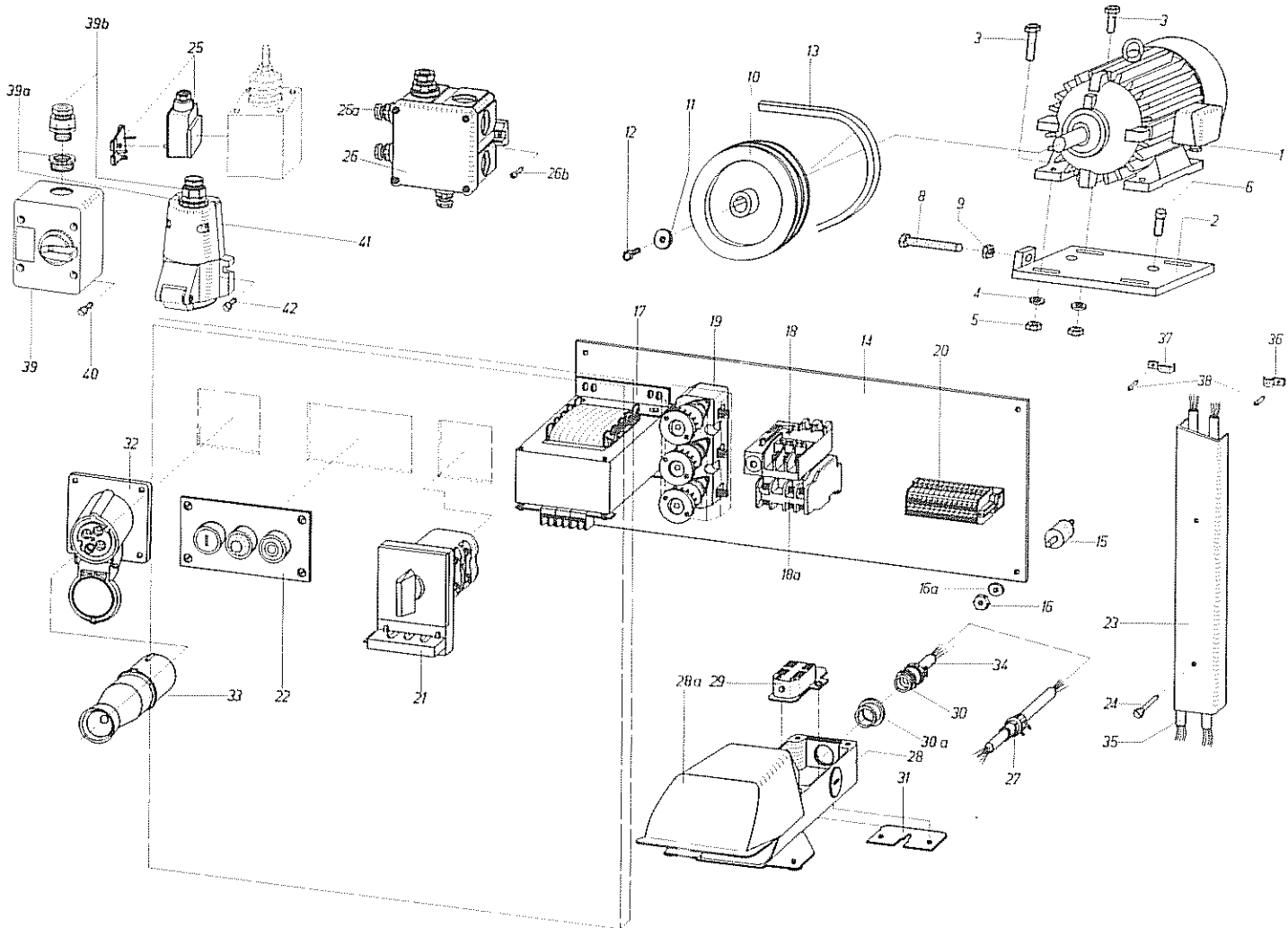
| Pos. Item | Artikel-Nr. Article-No. | Stck./ Maschl. Quantity required | Benennung | Nomenclature | Pos. Item | Artikel-Nr. Article-No. | Stck./ Maschl. Quantity required | Benennung | Nomenclature |
|-----------|-------------------------|----------------------------------|-------------------------|---------------------------------|-----------|-------------------------|----------------------------------|--------------------------|----------------------------------|
| | Z131A-63.00 | 1 | Profilniederhalter kpl. | Section shear, hold-down compl. | 15 | 810600003 | 3 | DUBO-Sicherung | Nylon washer |
| 1 | Z131-630.01 | 1 | Niederhalterbock | Hold down housing | 16 | Z131-630.06 | 1 | Druckstück | Thrust block |
| 2 | Z131-630.02 | 1 | Schraubenrad | Gear | 17 | 810600018 | 1 | verstellbarer Kegelgriff | Adjustable handle |
| 3 | Z131-610.03 | 1 | Welle | Shaft | | Z131A-64.00 | 1 | Profilanschlag kpl. | Mitre guide, sectn. shear compl. |
| 4 | 90734615 | 2 | Spannhülse | Tension pin | 18 | Z131A-64.01 | 1 | Profilanschlag | Mitre guide |
| 5 | Z131-610.04 | 1 | Schraubenrad rechts | Helical gear, right | 19 | Z133-64.05 | 1 | Federblech | Spring plate |
| 6 | Z131-610.05 | 1 | Schraubenrad links | Helical gear, left | 20 | 810600012 | 1 | Hammerschraube | Drive screw |
| 7 | Z131-630.03 | 1 | Spindel rechts | Spindle, right | 21 | 810600018 | 1 | verstellbarer Kegelgriff | Adjustable handle |
| 8 | Z131-630.04 | 1 | Spindel links | Spindle, left | 22 | Z131-64.02 | 1 | Anschlagleiste | Mitre guide rail |
| 10 | 90095022 | 1 | Handrad kpl. | Handwheel compl. | 23 | Z131A-64.02 | 2 | Schieber | Bracket |
| 11 | 90009025 | 1 | drehbarer Ballgriff | Handle | 25 | 900933368 | 1 | Sechskantschraube | Hex. cap screw |
| 12 | Z131A-68.09 | 1 | Querbaiken | Hold down bar | 26 | 90093435 | 1 | Sechskantmutter | Hex. nut |
| 13 | 90148133 | 2 | Spannhülse | Tension pin | 27 | 906912451 | 2 | Zylinderschraube | Socket head screw |
| 14 | 9079843501P | 3 | Zylinderschraube | Socket head screw, special | 28 | 90091361 | 2 | Gewindestift | Socket set screw |

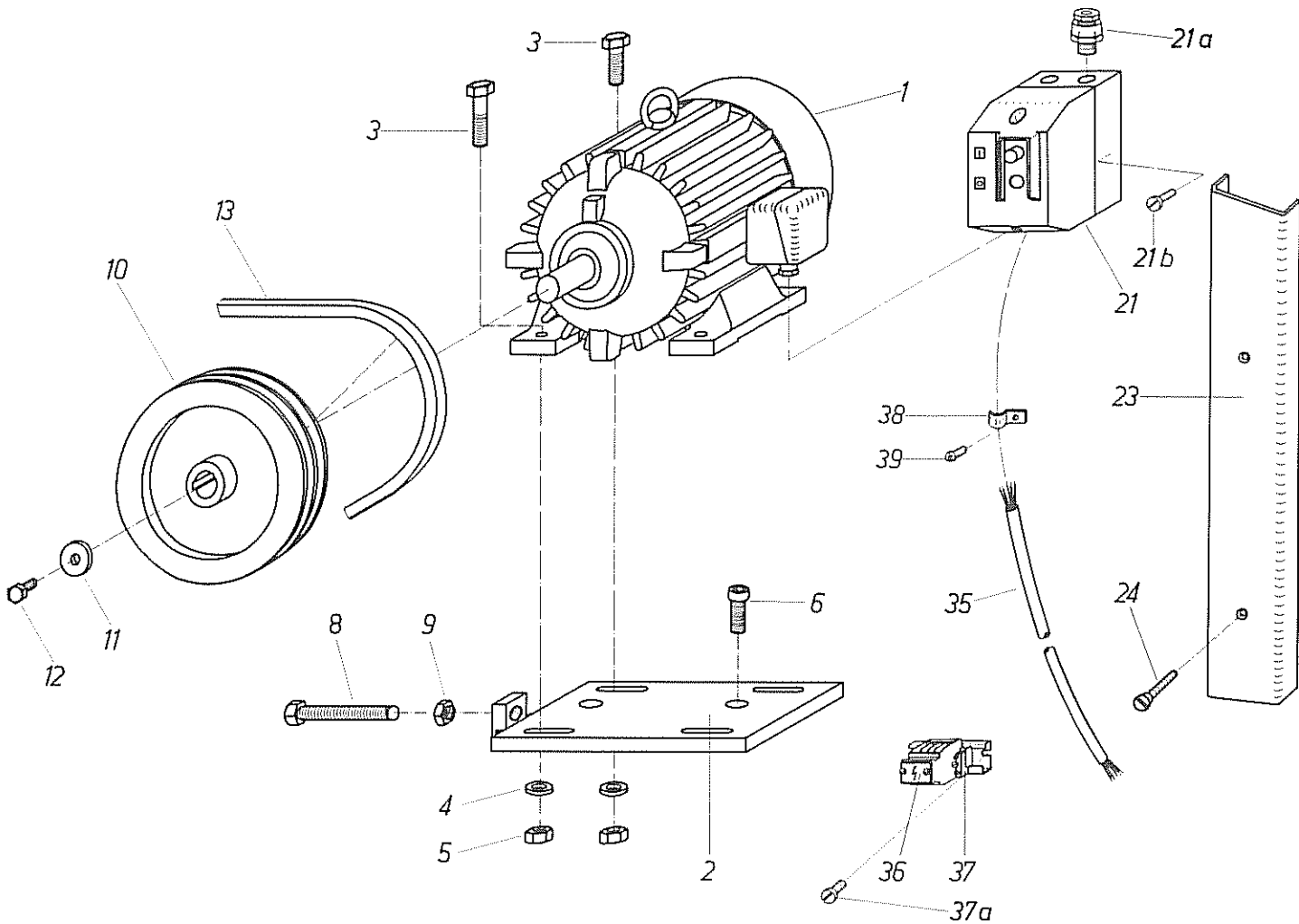


| Pos. Item | Artikel-Nr. Article-No. | Stück./ Masch. Quantity required | Benennung | Nomenclature | Pos. Item | Artikel-Nr. Article-No. | Stück./ Masch. Quantity required | Benennung | Nomenclature |
|-----------|-------------------------|----------------------------------|--------------------------------|---------------------------------------|-----------|-------------------------|----------------------------------|--------------------------|----------------------------------|
| | Z131A-68.00 | 1 | Autom. Profilniederhalter kpl. | Autom. Hold-down, sectn. shear compl. | 27 | 810600018 | 1 | verstellbarer Kegelgriff | Adjustable handle |
| 1 | Z131A-68.01 | 1 | Niederhalterbock | Hold-down housing | 28 | Z131A-68.10 | 1 | Zahnstange | Gear rack |
| 2 | Z131A-68.02 | 1 | Bodenplatte | Shaft support plate | 31 | Z131A-68.13 | 1 | Spannwinkel | Spring bracket |
| 3 | Z131A-68.03 | 1 | Buchse | Bronze bushing | 32 | 906912352 | 2 | Zylinderschraube | Socket head screw, special |
| 4 | 906912252 | 4 | Zylinderschraube | Socket head screw | 33 | 810600019 | 1 | Kurvenrolle | Cam roller |
| 5 | 90600722 | 2 | Zylinderstift | Dowel pin | 34 | 90093432 | 1 | Sechskantmutter | Hex. nut |
| 6 | Z131A-68.05 | 1 | Wellensicherung | Retaining ring | 35 | 811100010 | 1 | Einschlagnippel | Oil filling |
| 7 | 907984352IP | 3 | Zylinderschraube | Socket head screw, special | 36 | Z131A-68.12 | 1 | Druckfeder | Spring |
| 8 | 811100001 | 43 | Einschraubnippel | Straight oil filling | 37 | 90093425 | 2 | Sechskantmutter | Hex. nut |
| 10 | 810600003 | 3 | DUBO-Sicherung | Nylon washer | 38 | Z131A-68.14 | 1 | Führungsscheibe | Spring cap |
| 11 | Z131A-68.04 | 1 | Ritzelwelle | Pinion shaft | 39 | Z131A-68.11 | 1 | Zugstange | Threaded rod |
| 12 | 90688503 | 1 | Paßfeder | Key | 41 | Z131A-68.15 | 1 | Kurvenscheibe | Cam |
| 13 | Z131A-68.07 | 1 | Welle | Shaft | 42 | 906912253 | 2 | Zylinderschraube | Socket head screw |
| 14 | 90148107 | 1 | Spannhülse | Tension pin | 43 | 90000733 | 2 | Zylinderstift | Dowel pin |
| 15 | Z131A-68.06 | 1 | Schraubenrad | Gear | | Z131A-64.00 | 1 | Profilanschlag kpl. | Mitre guide, sectn. shear compl. |
| 16 | Z131A-68.08 | 1 | Einstellmutter | Locking ring | 44 | Z131A-64.01 | 1 | Profilanschlag | Mitre guide |
| 17 | 90091423 | 1 | Gewindestift | Socket set screw | 45 | Z133-64.05 | 1 | Federblech | Spring plate |
| 18 | 90633663 | 1 | Sterngriff | Star knob | 46 | 810600012 | 1 | Hammerschraube | Drive screw |
| 19 | 90148131 | 1 | Spannhülse | Tension pin | 47 | 810600018 | 1 | verstellbarer Kegelgriff | Adjustable handle |
| 20 | Z131-610.04 | 1 | Schraubenrad rechts | Helical gear, right | 48 | Z131-64.02 | 1 | Anschlagleiste | Mitre guide rail |
| 21 | Z131-610.05 | 1 | Schraubenrad links | Helical gear, left | 49 | Z131A-64.02 | 2 | Schieber | Bracket |
| 22 | Z131-630.03 | 1 | Spindel rechts | Spindle, right | 51 | 900933368 | 1 | Sechskantschraube | Hex. cap screw |
| 23 | Z131-630.04 | 1 | Spindel links | Spindle, left | 52 | 90093435 | 1 | Sechskantmutter | Hex. nut |
| 24 | Z131A-68.09 | 1 | Querbalken | Hold-down bar | 53 | 906912151 | 2 | Zylinderschraube | Socket head screw |
| 25 | 90148133 | 2 | Spannhülse | Tension pin | 54 | 90091361 | 2 | Gewindestift | Socket set screw |
| 26 | Z131-630.06 | 1 | Druckstück | Thrust block | | | | | |

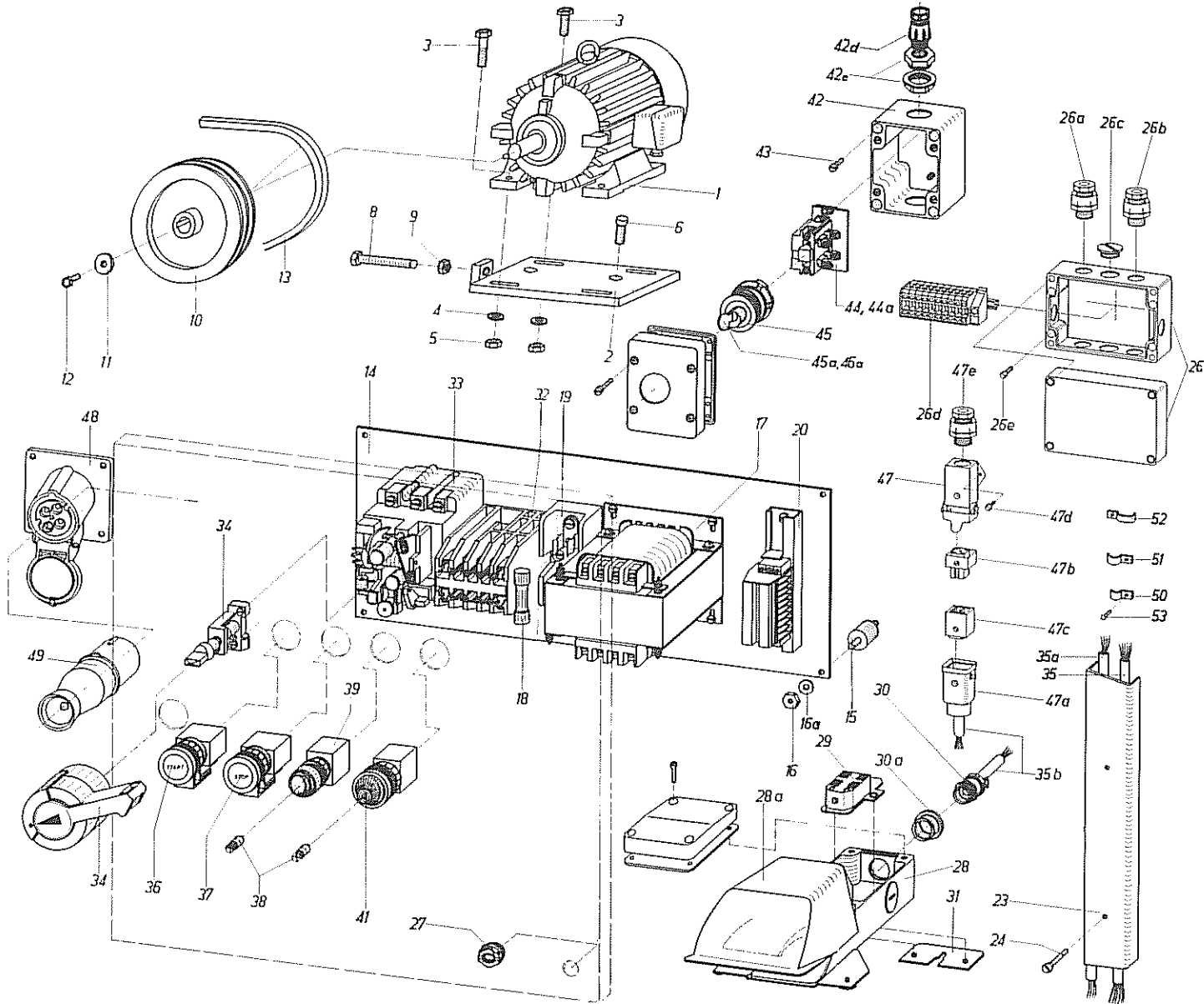


| Pos. Item | Artikel-Nr. Article-No. | Stück./ Mensch. Quantity required | Benennung | Nomenclature | Pos. Item | Artikel-Nr. Article-No. | Stück./ Mensch. Quantity required | Benennung | Nomenclature |
|-----------|-------------------------|--|----------------------------|-----------------------------|-----------|-------------------------|--|------------------------|-------------------------------|
| | Z131A-62.00 | 1 | Stabstahlniederhalter kpl. | Hold-down, bar shear compl. | | Z131A-61.00 | 1 | Blechniederhalter kpl. | Hold-down, plate shear compl. |
| 1 | Z131-610.01 | 1 | Niederhalterbock | Hold-down housing | 15 | Z131-610.01 | 1 | Niederhalterbock | Hold-down housing |
| 2 | Z131-610.02 | 1 | Schraubenrad | Gear | 16 | Z131-610.02 | 1 | Schraubenrad | Gear |
| 3 | Z131-610.03 | 1 | Welle | Shaft | 17 | Z131-610.03 | 1 | Welle | Shaft |
| 4 | 90734615 | 2 | Spannhülse | Tension pin | 18 | 90734615 | 2 | Spannhülse | Tension pin |
| 5 | Z131-610.04 | 1 | Schraubenrad rechts | Helical gear, right | 19 | Z131-610.04 | 1 | Schraubenrad rechts | Helical gear, right |
| 6 | Z131-620.01 | 1 | Spindel rechts | Spindle, right | 20 | Z131A-61.02 | 1 | Spindel rechts | Spindle, right |
| 7 | Z131-610.05 | 1 | Schraubenrad links | Helical gear, left | 21 | Z131-610.05 | 1 | Schraubenrad links | Helical gear, left |
| 8 | Z131-620.02 | 1 | Spindel links | Spindle, left | 22 | Z131A-61.03 | 1 | Spindel links | Spindle, left |
| 9 | 90095022 | 1 | Handrad kpl. | Handwheel compl. | 23 | 90095022 | 1 | Handrad kpl. | Handwheel compl. |
| 10 | 90009825 | 1 | drehbarer Ballengriff | Handle | 24 | 90009825 | 1 | drehbarer Ballengriff | Handle |
| 11 | Z131-620.03 | 1 | Querbalken | Hold-down bar | 25 | Z131A-61.01 | 1 | Querbalken | Hold-down bar |
| 12 | 90148133 | 2 | Spannhülse | Tension pin | 26 | 90148133 | 2 | Spannhülse | Tension pin |
| 13 | 9079843501P | 3 | Zylinderschraube | Socket head screw, special | 27 | 9079843501P | 3 | Zylinderschraube | Socket head screw, special |
| 14 | 810600003 | 3 | DUBO-Sicherungen | Nylon washer | 28 | 810600003 | 3 | DUBO-Sicherungen | Nylon washer |

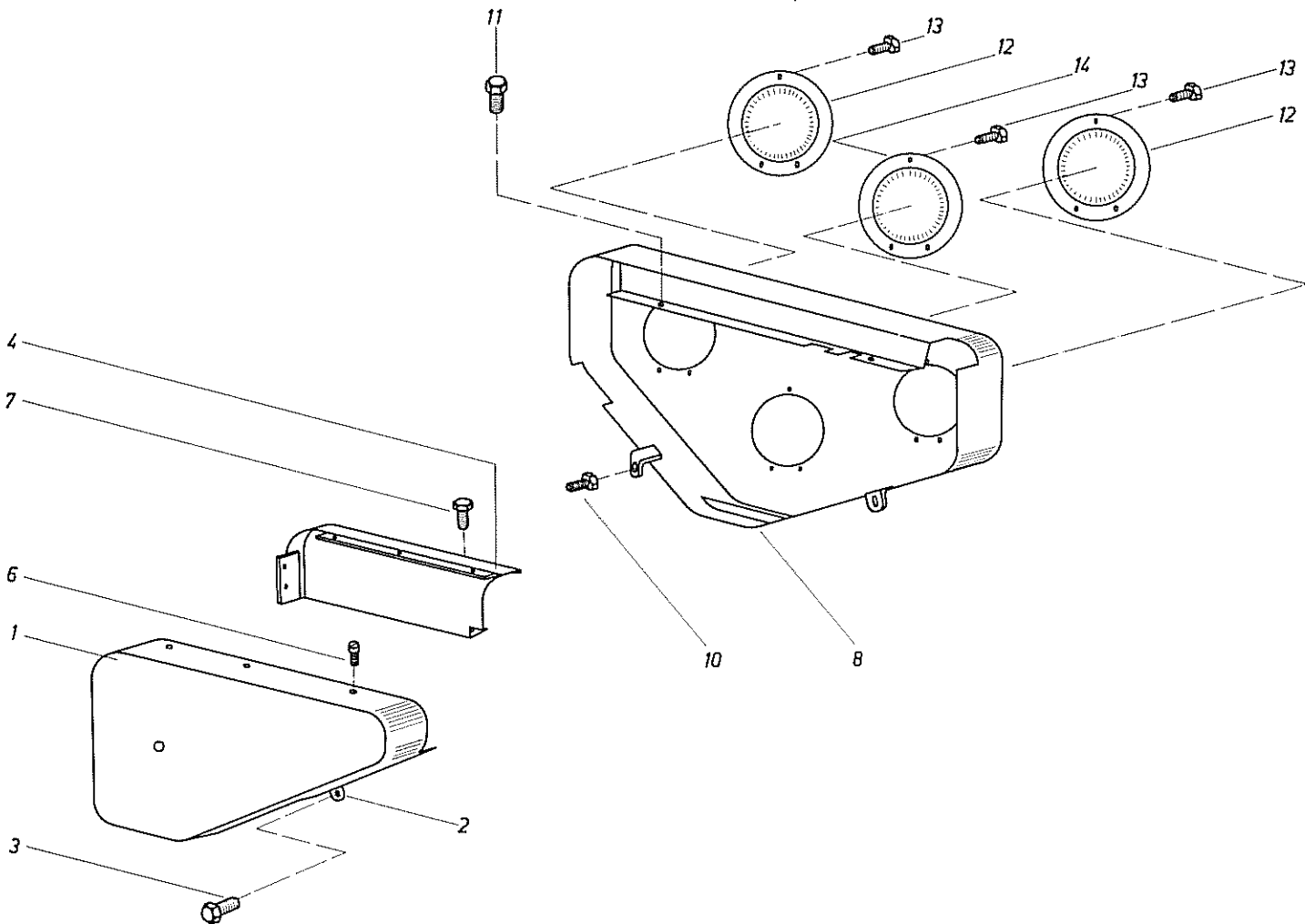




| Pos. Item | Artikel-Nr. Article-No. | Stück./ Masch. Quantity required | Benennung | Nomenclature | Pos. Item | Artikel-Nr. Article-No. | Stück./ Masch. Quantity required | Benennung | Nomenclature |
|-----------|-------------------------|----------------------------------|---------------------|--------------------|-----------|-------------------------|----------------------------------|------------------------------|-------------------------------|
| 1 | 810100005 | 1 | Motor | Motor | 21a | 810100100 | 2 | Verschraubung | Connector |
| 2 | Z131A-71.07 | 1 | Motorconsole | Motor base plate | 21b | 90008422 | 2 | Zylinderschraube mit Schlitz | Slotted head screw |
| 3 | 900933310 | 4 | Sechskantschraube | Hex. cap screw | 23 | Z131A-71.02 | 1 | Kabelabdeckung | Protective cover |
| 4 | 90012527 | 4 | Scheibe | Washer | 24 | 90096334 | 2 | Senkschraube | Countersunk screw |
| 5 | 90093615 | 4 | Sechskantmutter | Hex. nut | 35 | 810100027 | /m | Leitung NYMi abgedeckt | 4 wire cable |
| 6 | 906912354 | 2 | Zylinderschraube | Socket head screw | 36 | 810100030 | 1 | Anschlußklemme | Covered connecting terminal |
| 8 | 900933364 | 1 | Sechskantschraube | Hex. cap screw | 37 | 810100031 | 1 | Schutzleiterklemme | Protective conductor terminal |
| 9 | 90093621 | 1 | Sechskantmutter | Hex. nut | 37a | 90008433 | 2 | Zylinderschraube mit Schlitz | Slotted head screw |
| 10 | Z131A-71.05 | 1 | Motorriemenscheibe | Vee belt pulley | 38 | 97257141 | 10 | Befestigungsscheibe | Clip |
| 11 | Z131A-71.06 | 1 | Deckscheibe | Cap | 39 | 810600013 | 10 | Hammerschraube | Drive screw |
| 12 | 900933254 | 1 | Sechskantschraube | Hex. cap screw | | | | | |
| 13 | 90221523 | 2 | Keilriemen | Vee belt | | | | | |
| 21 | 810100029 | 1 | Motorschutzschalter | Push button switch | | | | | |



| Pos. Item | Artikel-Nr. Article-No. | Stck./Masch. Quantity required | Benennung | Nomenclature | Pos. Item | Artikel-Nr. Article-No. | Stck./Masch. Quantity required | Benennung | Nomenclature |
|-----------|-------------------------|--------------------------------|---------------------------------|------------------------------|-----------|-------------------------|--------------------------------|------------------------------|-------------------------|
| 1 | 810100004 | 1 | Motor | Motor | 32 | 810100156 | 1 | Schütz | Magnetic contactor |
| 2 | Z131A-71.07 | 1 | Motorkonsole | Motor base plate | 33 | 810100039 | 1 | Schalter ohne Antrieb | Main disconnect switch |
| 3 | 900933310 | 4 | Sechskantschraube | Hex. cap screw | 34 | 810100041 | 1 | Schalter | Switch handle assembly |
| 4 | 90012527 | 4 | Scheibe | Washer | 35 | 810100026 | /m | Leitung NYMi | 6 wire cable |
| 5 | 90093615 | 4 | Sechskantmutter | Hex. nut | 35b | 810100027 | /m | Leitung NYMi | 4 wire cable |
| 6 | 906912354 | 2 | Zylinderschraube | Socket head screw | 35d | 810100025 | /m | Leitung „Sylflex sy“ | „Sylflex sy“ line |
| 8 | 900933364 | 1 | Sechskantschraube | Hex. cap screw | 36 | 810100044 | 1 | Drucktaster „Start“ | Start switch |
| 9 | 90093621 | 1 | Sechskantmutter | Hex. nut | 37 | 810100045 | 1 | Drucktaster „Stop“ | Stop switch |
| 10 | Z131A-71.08 | 1 | Motorriemenscheibe | Vee belt pulley | 38 | 810100046 | 2 | Kontrollleuchte | Bulb, ground |
| 11 | Z131A-71.06 | 1 | Deckscheibe | Cap | 39 | 810100047 | 1 | Leuchttaster | Ground light assy. |
| 12 | 900933254 | 1 | Sechskantschraube | Hex. cap screw | 41 | 810100048 | 1 | Leuchtmelder | Running light assy. |
| 13 | 90221523 | 2 | Keilriemen | Vee belt | 42 | 810100049 | 2 | Gehäuse für Schüsselschalter | Switch box |
| 14 | Z131A-71.04 | 1 | Gerätetafel | Mounting plate | 42d | 810100124 | 1 | Verschraubung | Connector |
| 15 | 810600021 | 4 | Gummi-Rundlager | Grommet | 42e | 810100050 | 1 | Reduzierung mit Gegenmutter | Reducer with nut |
| 16 | 90093421 | 4 | Sechskantmutter | Hex. nut | 43 | 90008433 | 4 | Zylinderschraube mit Schlitz | Slotted head screw |
| 16a | 90012517 | 4 | Scheibe | Washer | 44 | 810100051 | 1 | Schalteinsetz | Contacteur |
| 17 | 810100032 | 1 | Steuertrafo | Transformer | 44a | 810100157 | 1 | Wahlschalter | Position switch |
| 18 | 810100033 | 1 | Sicherung | Fuse | 45 | 810100052 | 1 | Schloßtafter zur Stanze | Lock assembly for punch |
| 19 | 810100034 | 1 | Sicherungselement | Fuse block | 45a | 810100053 | 1 | Schlüssel | Key |
| 20 | 810100035 | 1 | Klemmleiste kpl. | Terminal block | 46a | 810100158 | 1 | Schlüssel für Wahlschalter | Key for Position switch |
| 23 | Z131A-71.02 | 1 | Kabelabdeckung | Protective cover | 47 | 810100120 | 1 | Socketgehäuse | Socket housing |
| 24 | 90096334 | 2 | Senkschraube | Countersunk screw | 47a | 810100133 | 1 | Tüllengehäuse | Socket housing |
| 26 | 810100127 | 1 | Abzweigdose | Junction box with cover | 47b | 810100121 | 1 | Steckdose | Plug insert |
| 26a | 810100124 | 3 | Verschraubung | Connector | 47c | 810100134 | 1 | Steckereinsatz | Plug insert |
| 26b | 810100099 | 2 | Verschraubung | Connector | 47d | 90008412 | 2 | Zylinderschraube mit Schlitz | Slotted head screw |
| 26c | 810100125 | 3 | Blindstopfen | Closure plug | 47e | 810100124 | 1 | Verschraubung | Connector |
| 26d | 810100128 | 1 | Klemmleiste | Terminal block | 48 | 810100023 | 1 | Steckdose | Socket |
| 26e | 810100120 | 2 | Zylinderschraube mit Schlitz | Slotted head screw | 49 | 810100024 | 1 | Stecker | Plug |
| 27 | 810100018 | 3 | Verschraubung mit Zugentlastung | Connector | 50 | 92757141 | 14 | Befestigungsschelle | Clip |
| 28 | 810100019 | 3 | Fußtaster mit Klappe | Foot pedal with safety cover | 51 | 92757151 | 4 | Befestigungsschelle | Clip |
| 28a | 810100020 | 3 | Schutzklappe | Safety cover | 52 | 92757143 | 5 | Befestigungsschelle | Clip |
| 29 | 810100021 | 3 | Schalteinsatz | Switch | 53 | 810600013 | 23 | Hammerschraube | Drive screw |
| 30 | 810100022 | 3 | Verschraubung mit Zugentlastung | Connector | | | | | |
| 30a | 810100129 | 3 | Reduzierring | Reducer ring | | | | | |
| 31 | Z131A-71.01 | 3 | Aufhängeblech | Hanging plate | | | | | |



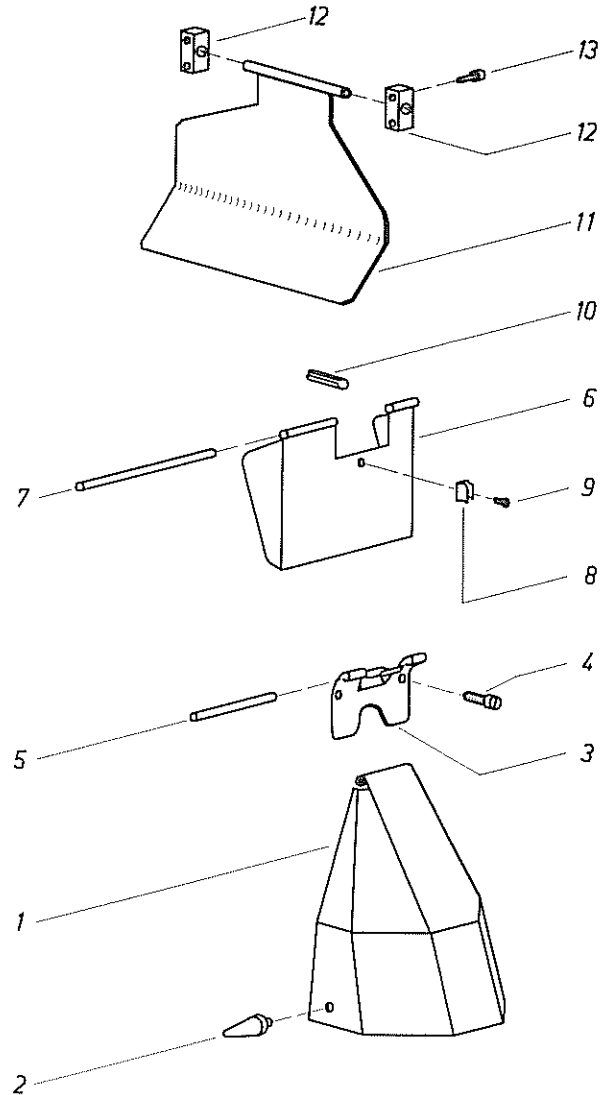
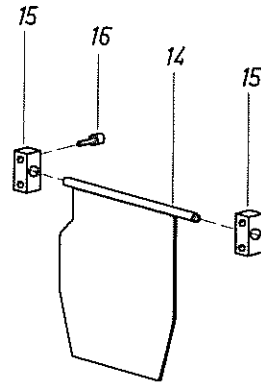
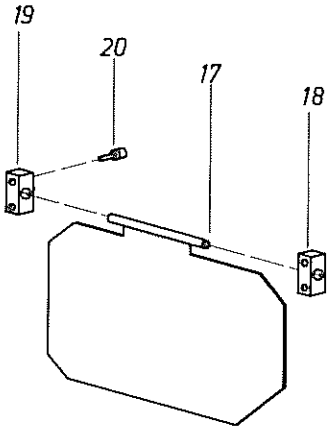
| Pos. Item | Artikel-Nr. Article-No. | Stück./ Masch. Quantity required | Benennung | Nomenclature | Pos. Item | Artikel-Nr. Article-No. | Stück./ Masch. Quantity required | Benennung | Nomenclature |
|-----------|----------------------------|---|---|--|-----------|----------------------------|---|---|----------------------------------|
| 1 | Z131A-91USA Z131A-91.03 | 1 1 | Schutzhaube für Riemen- kpl. Schutzhaube für Riemen- trieb | Guard, flywheel compl. Vee belt guard | 8 | Z131A-92USA Z131A-92.03 | 1 1 | Schutzhaube für Kupp- lung kpl. Schutzhaube für Kupp- lung | Gear guard, compl. Gear guard |
| 3 | 900933306 | 2 | Sechskantschraube | Hex. cap screw | 10 | 900933306 | 1 | Sechskantschraube | Hex. cap screw |
| 4 | Z131A-91.04 | 1 | Verkleidung | Vee belt guard strap | 11 | 900933301 | 2 | Sechskantschraube | Hex. cap screw |
| 6 | 90008440 | 4 | Zylinderschraube | Slotted head screw | 12 | Z131A-92.02 | 3 | Schutzkappe | Shaft cover |
| 7 | 900933301 | 2 | Sechskantschraube | Hex. cap screw | 13 | 90751311 | 9 | Sechskant-Schneid- schraube | Slotted self cutting screw |

Schutzklappen für Profilschere, Stabstahlschere, Blech- oder Flachstahlschere und Ausklinker

Cover Lids for Section Steel Shears, Bar Steel Shears, Plate- or Flat Steel Shears and Coper-Notcher

Fig. A 35/1

KBL 45-20



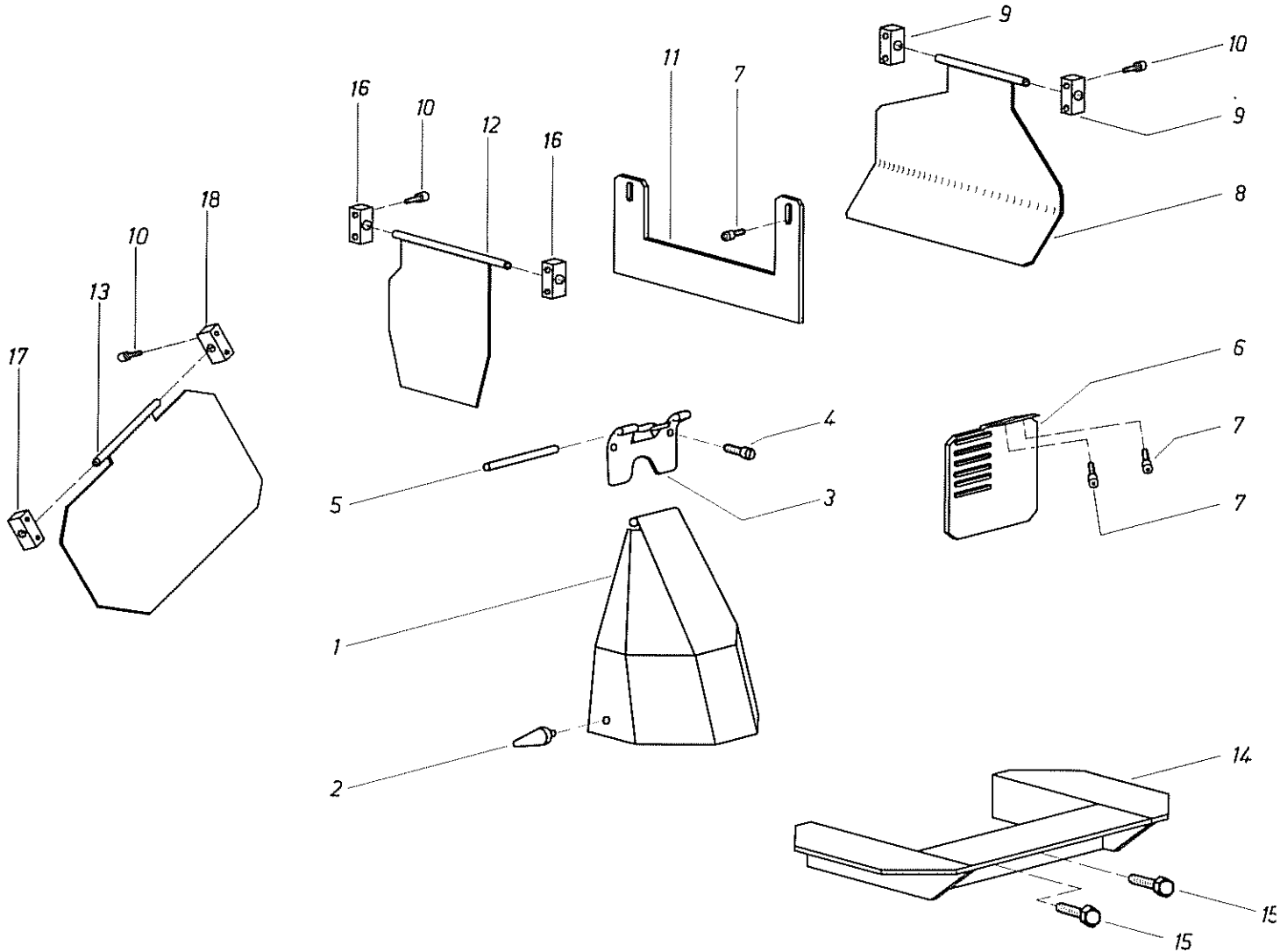
| Pos. Item | Artikel-Nr. Article-No. | Stck./Masch. Quantity required | Benennung | Nomenclature | Pos. Item | Artikel-Nr. Article-No. | Stck./Masch. Quantity required | Benennung | Nomenclature |
|-----------|-------------------------|--------------------------------|------------------------------|---------------------------|-----------|-------------------------|--------------------------------|----------------------------------|------------------------------|
| 1 | Z131-93.08 | 1 | Haube f. Ausklinker kpl. | Notcher guard compl. | 13 | 900912205 | 4 | Zylinderschraube | Socket head screw |
| 4 | 90008441 | 2 | Zylinderschraube | Slotted head screw | 14 | Z131-97.01 | 1 | Schutzklappe zur Stabstahlschere | Bar shear movable guard |
| 6 | Z131-94.01 | 1 | Schutzhaube für Blechschere | Plate shear guard | 15 | Z133-97.02 | 2 | Böckchen | Bracket |
| 8 | M52301-2 | 1 | Klemmfeder | Clamp | 16 | 900912205 | 4 | Zylinderschraube | Socket head screw |
| 9 | 90733823 | 1 | Rohrriet | Blind rivet | 17 | Z131-96.01 | 1 | Schutzklappe zur Profilschere | Section shear, movable guard |
| 10 | 90148156 | 1 | Spannhülse | Tension pin | 18 | Z131-96.02 | 2 | Böckchen | Bracket |
| 11 | Z131-95.03 | 1 | Schutzklappe zur Abfallseite | Plate shear movable guard | 20 | 900912208 | 4 | Zylinderschraube | Socket head screw |
| 12 | Z133-97.02 | 2 | Böckchen | Bracket | | | | | |

Schutzklappen für Profilschere, Stabstahlschere, Blech- oder Flachstahlschere und Ausklinker

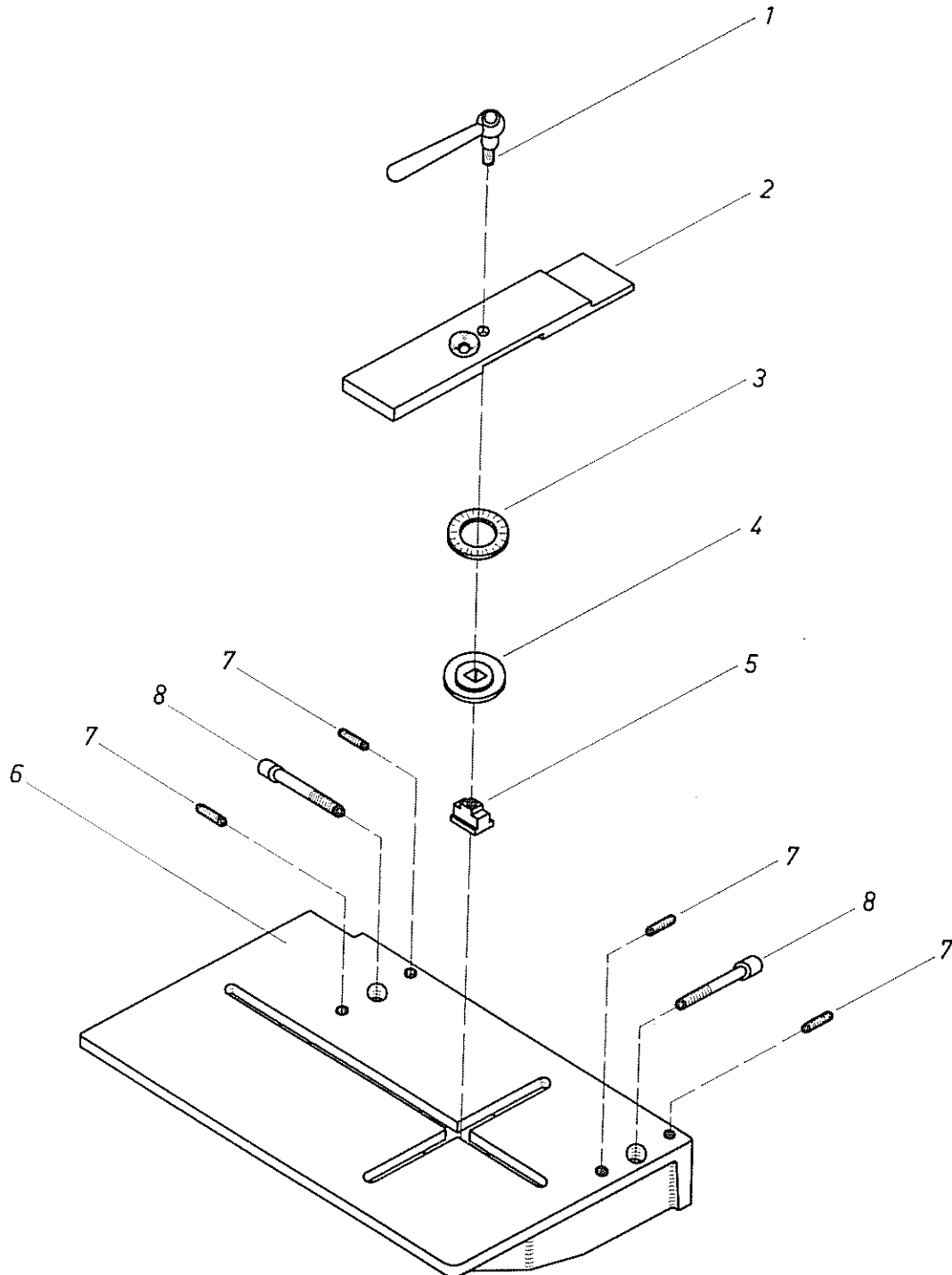
Guards, Plate Shear, Section Shear, Bar Shear and Coper-Notcher

Fig. A 36/1 US

KBL 50-4



| Pos. Item | Artikel-Nr. Article-No. | Stck./ Masch. Quantity required | Benennung | Nomenclature | Pos. Item | Artikel-Nr. Article-No. | Stck./ Masch. Quantity required | Benennung | Nomenclature |
|-----------|-------------------------|---------------------------------|--------------------------------|---------------------------|-----------|-------------------------|---------------------------------|----------------------------------|------------------------------|
| 1 | Z131-93.08 | 1 | Haube f. Ausklinker kpl. | Notcher guard compl. | 11 | Z131-95.02 | 1 | Verkleidung für Zuführseite | Plate shear adjustable guard |
| 4 | 90008441 | 2 | Zylinderschraube | Slotted head screw | 12 | Z131-97.01 | 1 | Schutzklappe zur Stabstahlschere | Bar shear movable guard |
| 6 | Z131-95.01 | 1 | Schutzabdeckung zur Stirnseite | Plate shear guard | 13 | Z131-96.01 | 1 | Schutzklappe zur Profilschere | Section shear, movable guard |
| 7 | 900912203 | 2 | Zylinderschraube | Socket head screw | 14 | Z131-93.09 | 1 | Schutzvorrichtung | Support bracket |
| 8 | Z131-95.03 | 1 | Schutzklappe zur Abfallseite | Plate shear movable guard | 15 | 900933254 | 2 | Sechskantschraube | Hex. cap screw |
| 9 | Z133-97.02 | 2 | Böckchen | Bracket | 16 | Z133-97.02 | 2 | Böckchen | Bracket |
| 10 | 900912205 | 4 | Zylinderschraube | Socket head screw | 17 | Z131-96.02 | 2 | Böckchen | Bracket |



| Pos. Item | Artikel-Nr. Article-No. | Stück./ Masch. Quantity required | Benennung | Nomenclature | Pos. Item | Artikel-Nr. Article-No. | Stück./ Masch. Quantity required | Benennung | Nomenclature |
|-----------|-------------------------|----------------------------------|--------------------------|-----------------------|-----------|-------------------------|----------------------------------|------------------|-------------------|
| 1 | Z131A-66.00 | 1 | Auflagetisch kpl. | Support table, compl. | 5 | Z131A-66.03 | 1 | Nutenstein | Tee nut |
| 2 | B10600022 | 1 | verstellbarer Kegelgriff | Adjustable handle | 6 | Z131A-66.01 | 1 | Auflagetisch | Table |
| 3 | Z131A-66.02 | 1 | Anschlagleiste | Guide plate | 7 | 90055175 | 4 | Gewindestift | Slotted set screw |
| 4 | Z131A-66.04 | 1 | Maßskala | Protractor | 8 | 900912358 | 2 | Zylinderschraube | Socket head screw |
| | | | Scheibe | Washer | | | | | |