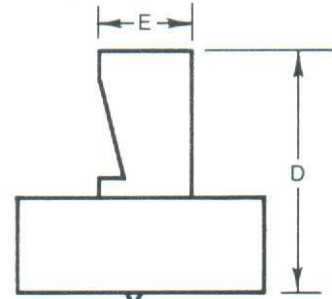
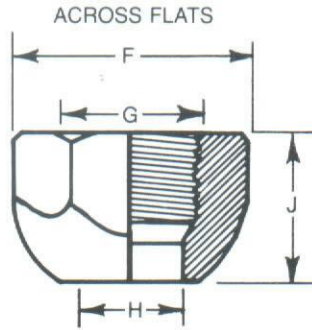
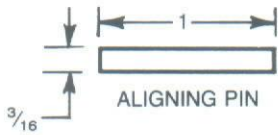


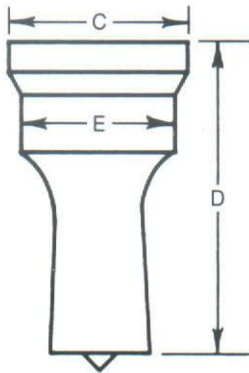
STOCK LIST

MUBEA PUNCHES AND DIES

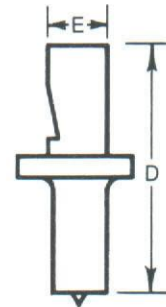
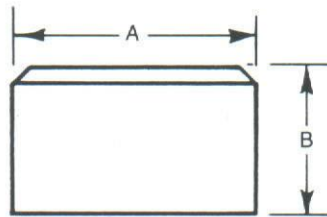
All items listed are in stock



H5



H1, H2, H3, H4



BF 350

PUNCH, DIE AND COUPLING NUT DIMENSIONS

	A	B	C	D	E	F	G	H	J
H1	1 ¹³ / ₁₆	1 ¹ / ₈	1 ¹ / ₄	2 ¹ / ₈	1 ¹ / ₁₆	2	1 ⁵ / ₈	1 ¹ / ₈	1 ¹ / ₂
H2	2	1	1 ³ / ₈	2 ³ / ₈	1 ⁷ / ₃₂	2 ¹ / ₂	2	1 ¹ / ₄	1 ¹ / ₂
H3	2 ¹ / ₂	1 ¹ / ₄	1 ¹³ / ₁₆	2 ³ / ₈	1 ⁹ / ₁₆	2 ¹ / ₂	2	1 ⁹ / ₁₆	1 ⁹ / ₁₆
H4	3 ¹ / ₈	1 ⁵ / ₈	2 ¹ / ₄	2 ⁷ / ₁₆	2	3 ¹ / ₂	2 ¹ / ₂	2	1 ⁹ / ₁₆
H5	5 ⁷ / ₁₆	1 ⁹ / ₁₆		4 ⁵ / ₈	1 ³¹ / ₃₂				
BF 350	1 ¹³ / ₁₆	1 ¹ / ₈		2 ¹ / ₁₆	1 ⁹ / ₃₂				

Oblong Punches			Oblong Dies			Oblong Punches			Oblong Dies			Oblong Punches			Oblong Dies		
Sizes	BF10 or H 1	H 2	Sizes	BF10 or H 1	H 2	Sizes	BF10 or H 1	H 2	Sizes	BF10 or H 1	H 2	Sizes	H 3	H 4	Sizes	H 3	H 4
1/8 × 1/2	●		9/64 × 33/64	●		1/2 × 1	●	●	17/32 × 1 1/32	●	●	3/8 × 1 1/2	●		13/32 × 1 17/32	●	
1/8 × 3/4	●		9/64 × 49/64	●		1/2 × 1 1/16	●	●	17/32 × 1 3/32	●	●	3/8 × 1 3/4		●	13/32 × 1 25/32		●
1/8 × 1	●		9/64 × 1 1/64	●		1/2 × 1 1/8	●	●	17/32 × 1 5/32	●	●	3/8 × 2		●	13/32 × 2 1/32		●
5/32 × 1/2	●		11/64 × 33/64	●		1/2 × 1 1/4	●	●	17/32 × 1 9/32	●	●	7/16 × 1 1/2	●		15/32 × 1 17/32	●	
5/32 × 3/4	●		11/64 × 49/64	●		17/32 × 3/4	●	●	9/16 × 25/32	●	●	7/16 × 1 3/4		●	15/32 × 1 25/32		●
5/32 × 1	●	●	11/64 × 1 1/64	●	●	17/32 × 1	●	●	9/16 × 1 1/32	●	●	7/16 × 2		●	15/32 × 2 1/32		●
3/16 × 1/2	●	●	13/64 × 33/64	●	●	17/32 × 1 1/4	●	●	9/16 × 1 9/32	●	●	1/2 × 1 1/2	●		17/32 × 1 17/32	●	
3/16 × 3/4	●	●	13/64 × 49/64	●	●	9/16 × 3/4	●	●	19/32 × 25/32	●	●	1/2 × 1 3/4		●	17/32 × 1 25/32		●
3/16 × 1	●	●	13/64 × 1 1/64	●	●	9/16 × 1	●	●	19/32 × 1 1/32	●	●	1/2 × 2		●	17/32 × 2 1/32		●
7/32 × 7/16	●	●	15/64 × 29/64	●	●	9/16 × 1 1/16	●	●	19/32 × 1 3/32	●	●	9/16 × 1 1/2	●		19/32 × 1 17/32	●	
7/32 × 1/2	●	●	15/64 × 33/64	●	●	9/16 × 1 1/8	●	●	19/32 × 1 5/32	●	●	9/16 × 1 3/4		●	19/32 × 1 25/32		●
7/32 × 3/4	●	●	15/64 × 49/64	●	●	9/16 × 1 1/4	●	●	19/32 × 1 9/32	●	●	9/16 × 2		●	19/32 × 2 1/32		●
7/32 × 1	●	●	15/64 × 1 1/64	●	●	5/8 × 1	●	●	21/32 × 1 1/32	●	●	5/8 × 1 1/2	●		21/32 × 1 17/32	●	
1/4 × 1/2	●	●	9/32 × 17/32	●	●	5/8 × 1 1/16	●	●	21/32 × 1 3/32	●	●	5/8 × 1 3/4		●	21/32 × 1 25/32		●
1/4 × 3/4	●	●	9/32 × 25/32	●	●	5/8 × 1 1/8	●	●	21/32 × 1 5/32	●	●	5/8 × 2		●	21/32 × 2 1/32		●
1/4 × 1	●	●	9/32 × 1 1/32	●	●	5/8 × 1 1/4	●	●	21/32 × 1 9/32	●	●	1 1/16 × 1 1/2	●		23/32 × 1 17/32	●	
1/4 × 1 1/16	●	●	9/32 × 1 3/32	●	●	1 1/16 × 7/8	●	●	23/32 × 29/32	●	●	1 1/16 × 1 3/4		●	23/32 × 1 25/32		●
1/4 × 1 1/8	●	●	9/32 × 1 5/32	●	●	1 1/16 × 1	●	●	23/32 × 1 1/32	●	●	1 1/16 × 2		●	23/32 × 2 1/32		●
1/4 × 1 1/4	●	●	9/32 × 1 9/32	●	●	1 1/16 × 1 1/16	●	●	23/32 × 1 3/32	●	●	3/4 × 1 1/2	●		25/32 × 1 17/32	●	
9/32 × 1/2	●	●	5/16 × 17/32	●	●	1 1/16 × 1 1/8	●	●	23/32 × 1 5/32	●	●	3/4 × 1 3/4		●	25/32 × 1 25/32		●
9/32 × 9/16	●	●	5/16 × 19/32	●	●	1 1/16 × 1 1/4	●	●	23/32 × 1 9/32	●	●	3/4 × 2		●	25/32 × 2 1/32		●
9/32 × 3/4	●	●	5/16 × 25/32	●	●	3/4 × 1	●	●	25/32 × 1 1/32	●	●	13/16 × 1 1/2	●		27/32 × 1 17/32	●	
9/32 × 1	●	●	5/16 × 1 1/32	●	●	3/4 × 1 1/16	●	●	25/32 × 1 3/32	●	●	13/16 × 1 3/4		●	27/32 × 1 25/32		●
5/16 × 1/2	●	●	11/32 × 17/32	●	●	3/4 × 1 1/8	●	●	25/32 × 1 5/32	●	●	13/16 × 2		●	27/32 × 2 1/32		●
5/16 × 5/8	●	●	11/32 × 21/32	●	●	3/4 × 1 1/4	●	●	25/32 × 1 9/32	●	●	7/8 × 1 1/2	●		29/32 × 1 17/32	●	
5/16 × 3/4	●	●	11/32 × 25/32	●	●	13/16 × 1	●	●	27/32 × 1 1/32	●	●	7/8 × 1 3/4		●	29/32 × 1 25/32		●
5/16 × 1	●	●	11/32 × 1 1/32	●	●	13/16 × 1 1/16	●	●	27/32 × 1 3/32	●	●	7/8 × 2		●	29/32 × 2 1/32		●
5/16 × 1 1/16	●	●	11/32 × 1 3/32	●	●	13/16 × 1 1/8	●	●	27/32 × 1 5/32	●	●	15/16 × 1 9/16	●		31/32 × 1 19/32	●	
5/16 × 1 1/8	●	●	11/32 × 1 5/32	●	●	13/16 × 1 1/4	●	●	27/32 × 1 9/32	●	●	15/16 × 1 3/4		●	31/32 × 1 25/32		●
5/16 × 1 1/4	●	●	11/32 × 1 9/32	●	●	7/8 × 1 1/16	●	●	29/32 × 1 3/32	●	●	15/16 × 2		●	31/32 × 2 1/32		●
11/32 × 1 1/16	●	●	3/8 × 23/32	●	●	7/8 × 1 1/8	●	●	29/32 × 1 5/32	●	●	1 × 1 9/16	●		1 1/32 × 1 19/32	●	
11/32 × 3/4	●	●	3/8 × 25/32	●	●	7/8 × 1 1/4	●	●	29/32 × 1 9/32	●	●	1 × 1 3/4		●	1 1/32 × 1 25/32		●
11/32 × 1	●	●	3/8 × 1 1/32	●	●	15/16 × 1 1/8	●	●	31/32 × 1 5/32	●	●	1 × 2		●	1 1/32 × 2 1/32		●
3/8 × 1/2	●	●	13/32 × 17/32	●	●	15/16 × 1 1/4	●	●	31/32 × 1 9/32	●	●	1 1/16 × 1 5/16	●		1 3/32 × 1 11/32	●	
3/8 × 3/4	●	●	13/32 × 25/32	●	●	1 1/16 × 1 1/4	●	●	1 1/32 × 1 9/32	●	●	1 1/16 × 1 9/16		●	1 3/32 × 1 19/32		●
3/8 × 1	●	●	13/32 × 1 1/32	●	●				1 3/32 × 1 9/32	●	●	1 1/16 × 1 3/4		●	1 3/32 × 1 25/32		●
3/8 × 1 1/16	●	●	13/32 × 1 3/32	●	●							1 1/16 × 2		●	1 3/32 × 2 1/32		●
3/8 × 1 1/8	●	●	13/32 × 1 5/32	●	●							1 1/8 × 1 3/4		●	1 5/32 × 1 25/32		●
3/8 × 1 1/4	●	●	13/32 × 1 9/32	●	●							1 1/8 × 2		●	1 5/32 × 2 1/32		●
13/32 × 3/4	●	●	7/16 × 25/32	●	●							1 3/16 × 1 1/2	●		1 7/32 × 1 17/32	●	
13/32 × 1	●	●	7/16 × 1 1/32	●	●												
13/32 × 1 1/4	●	●	7/16 × 1 9/32	●	●												
7/16 × 9/16	●	●	15/32 × 19/32	●	●												
7/16 × 3/4	●	●	15/32 × 25/32	●	●												
7/16 × 7/8	●	●	15/32 × 29/32	●	●												
7/16 × 1	●	●	15/32 × 1 1/32	●	●												
7/16 × 1 1/16	●	●	15/32 × 1 3/32	●	●												
7/16 × 1 1/8	●	●	15/32 × 1 5/32	●	●												
7/16 × 1 1/4	●	●	15/32 × 1 9/32	●	●												
15/32 × 3/4	●	●	1/2 × 25/32	●	●												
15/32 × 1	●	●	1/2 × 1 1/32	●	●												
1/2 × 3/4	●	●	17/32 × 25/32	●	●												



Rectangular Punches		Rectangular Dies		Square Punches			Square Dies			Hexagon Punches		Hex. Dies	Eccentric Dies							
Sizes	BF10 or H 1	Sizes	BF10 or H 1	Sizes	BF10 or H 1	H 2	H 3	BF10 or H 1	H 2	H 3	Sizes	BF 10 or H 1	BF 10 or H 1	Sizes	Flat top			bevel sawtooth		
															H 1	H 2	H 3	H 1	H 2	H 3
5/32 x 1	•	11/64 x 1 1/64	•	1/4	•	•					5/16	•		7/32	•	•	•	•	•	
3/16 x 1/2	•	13/64 x 33/64	•	9/32	•	•					11/32	•	•	1/4	•	•	•	•	•	•
3/16 x 1	•	13/64 x 1 1/64	•	5/16	•	•					3/8	•	•	9/32	•	•	•	•	•	•
7/32 x 1/2	•	15/64 x 33/64	•	11/32	•	•					13/32	•	•	5/16	•	•	•	•	•	•
7/32 x 1	•	15/64 x 1 1/64	•	3/8	•	•					7/16	•	•	1 1/32	•	•	•	•	•	•
1/4 x 1/2	•	9/32 x 17/32	•	13/32	•	•					15/32	•	•	3/8	•	•	•	•	•	•
1/4 x 1	•	9/32 x 1 1/32	•	7/16	•	•					1/2	•	•	13/32	•	•	•	•	•	•
9/32 x 9/16	•	5/16 x 19/32	•	15/32	•	•					17/32	•	•	7/16	•	•	•	•	•	•
9/32 x 3/4	•	5/16 x 25/32	•	1/2	•	•					9/16	•	•	15/32	•	•	•	•	•	•
9/32 x 1	•	5/16 x 1 1/32	•	17/32	•	•					19/32	•	•	1/2	•	•	•	•	•	•
5/16 x 1/2	•	11/32 x 17/32	•	9/16	•	•					5/8	•	•	17/32	•	•	•	•	•	•
5/16 x 5/8	•	11/32 x 21/32	•	19/32	•	•					21/32	•	•	9/16	•	•	•	•	•	•
5/16 x 3/4	•	11/32 x 25/32	•	5/8	•	•					11/16	•	•	19/32	•	•	•	•	•	•
5/16 x 1	•	11/32 x 1 1/32	•	21/32	•	•					23/32	•	•	5/8	•	•	•	•	•	•
11/32 x 1	•	3/8 x 1 1/32	•	11/16	•	•					3/4	•	•	21/32	•	•	•	•	•	•
3/8 x 1/2	•	13/32 x 17/32	•	23/32	•	•					25/32	•	•	11/16	•	•	•	•	•	•
3/8 x 3/4	•	13/32 x 25/32	•	3/4	•	•					13/16	•	•	23/32	•	•	•	•	•	•
3/8 x 1	•	13/32 x 1 1/32	•	25/32	•	•					27/32	•	•	3/4	•	•	•	•	•	•
13/32 x 3/4	•	7/16 x 25/32	•	13/16	•	•					7/8	•	•	25/32	•	•	•	•	•	•
13/32 x 1	•	7/16 x 1 1/32	•	27/32	•	•					29/32	•	•	13/16	•	•	•	•	•	•
7/16 x 9/16	•	15/32 x 19/32	•	7/8	•	•					15/16	•	•	27/32	•	•	•	•	•	•
7/16 x 3/4	•	15/32 x 25/32	•	29/32	•	•					31/32	•	•	7/8	•	•	•	•	•	•
7/16 x 7/8	•	15/32 x 29/32	•	15/16	•	•					1	•	•	29/32	•	•	•	•	•	•
7/16 x 1	•	15/32 x 1 1/32	•	31/32	•	•					1 1/32	•	•	15/16	•	•	•	•	•	•
15/32 x 3/4	•	1/2 x 25/32	•	1	•	•					1 1/16	•	•	31/32	•	•	•	•	•	•
15/32 x 1	•	1/2 x 1 1/32	•	1 1/32	•	•								1	•	•	•	•	•	•
1/2 x 3/4	•	17/32 x 25/32	•	1 1/16	•	•								1 1/32	•	•	•	•	•	•
1/2 x 1	•	17/32 x 1 1/32	•	1 3/32	•	•								1 1/16	•	•	•	•	•	•
17/32 x 3/4	•	9/16 x 25/32	•	1 1/8	•	•								1 3/32	•	•	•	•	•	•
17/32 x 1	•	9/16 x 1 1/32	•	1 5/32	•	•								1 1/8	•	•	•	•	•	•
9/16 x 3/4	•	19/32 x 25/32	•											1 5/32	•	•	•	•	•	•
9/16 x 1	•	19/32 x 1 1/32	•											1 3/16	•	•	•	•	•	•
5/8 x 3/4	•	21/32 x 25/32	•											1 7/32	•	•	•	•	•	•
5/8 x 1	•	21/32 x 1 1/32	•											1 1/4	•	•	•	•	•	•
11/16 x 3/4	•	23/32 x 25/32	•											1 9/32	•	•	•	•	•	•
11/16 x 1	•	23/32 x 1 1/32	•											1 5/16	•	•	•	•	•	•
3/4 x 1	•	25/32 x 1 1/32	•	1 1/8	•	•								1 3/8	•	•	•	•	•	•
13/16 x 1	•	27/32 x 1 1/32	•	1 3/16	•	•								1 7/16	•	•	•	•	•	•
				1/4	•	•								1 1/2	•	•	•	•	•	•
				1 5/16	•	•								1 9/16	•	•	•	•	•	•
				1 3/8	•	•								1 5/8	•	•	•	•	•	•
				1 1/2	•	•														
				1 7/32	•	•														
				1 9/32	•	•														
				1 11/32	•	•														
				1 13/32	•	•														
				1 17/32	•	•														
				1 25/32	•	•														
				2 1/32	•	•														
				2 9/32	•	•														
				2 17/32	•	•														
				2 25/32	•	•														
				3	•	•														
				3 1/4	•	•														
				3 1/2	•	•														
				3 3/4	•	•														
				4	•	•														
				4 1/32	•	•														



IMPORTANT: PLEASE NOTE

- **CLEARANCE:** The recommended clearance is 1/32" for all hole sizes regardless of material thickness. Exception — Thin material and small round punches (1/8", 5/32") where the clearance should be 1/64". When punching high strength materials please call for our recommendations.
- **ORDERING:** When ordering you may specify only the punch sizes and we will furnish the correct die size.
- **DO NOT** use dull or chipped punches and dies.
- **USE OF COUPLING NUT:** When using a machine with a coupling nut note that the hole in the nut limits the size of punch that can be used. The hole dimension for each size nut can be found in the chart in this brochure.
- **ECCENTRIC DIES:** The edge of the hole is 1/4" from the outside of the die. This allows the punching of gauge lines close to the root of an angle or close to the web or flange of a channel or beam. The die saddle is then moved to realign the punch and die. The flat top dies are used for angles and webs of channels and beams. The bevel die is used to fit the inside contour of flanges.

Punch and Die Standards for MUBEA Ironworkers

- Standard Machines (less than 100 tons) — use H1 Punch and Die
- Standard Machines (more than 100 tons) — use H2 or H3
Punches and Dies
H1 may be used only with adapters.
- Modell BF 350 — use BF350 Punches and H1 Dies.